



Features

- Support maximum 256 X 64 dot matrix panel with 16 grayscale
- Embedded 256 X 64 x 4bits SRAM
- Operating voltage:
 - I/O voltage supply: $V_{DD1} = 1.65V - 3.5V$
 - Logic voltage supply: $V_{DD2} = 2.4V - 3.5V$
 - DC-DC voltage supply: $AV_{DD} = 2.4V - 3.5V$
 - OLED Operating voltage supply: $V_{PP} = 7.0V - 16.0V$
- Maximum segment output current: 400 μ A
- Maximum common sink current: 102mA
- 8-bit 6800-series parallel interface, 8-bit 8080-series parallel interface, serial peripheral interface
- Programmable frame frequency and multiplexing ratio
- Row re-mapping and column re-mapping (ADC)
- Vertical scrolling
- On-chip oscillator
- Available internal DC-DC converter
- 256-step contrast control on monochrome passive OLED panel
- Low power consumption
 - Sleep mode: <5 μ A
- Wide range of operating temperatures: -40 to +85 $^{\circ}$ C
- Available in COG and COF form

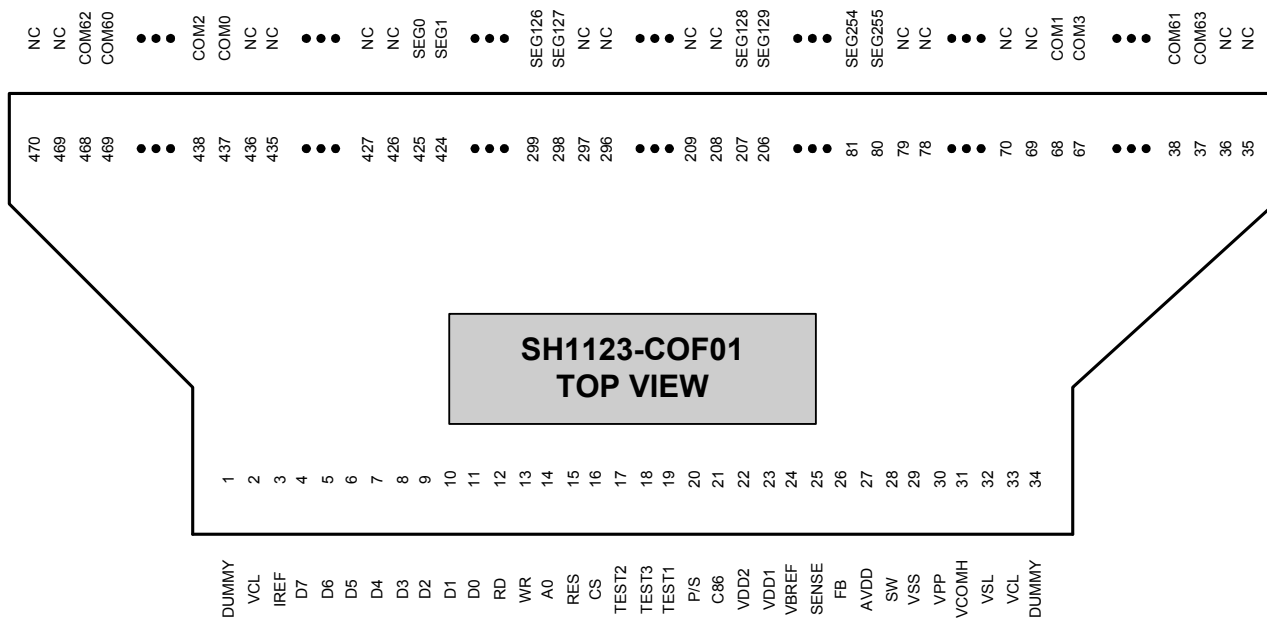
General Description

SH1123 is a single-chip CMOS OLED/PLED driver with controller for organic/polymer light emitting diode dot-matrix graphic display system. SH1123 consists of 256 segments, 64 commons with 16 grayscale that can support a maximum display resolution of 256 X 64. It is designed for Common Cathode type OLED panel.

SH1123 embeds with contrast control, display RAM oscillator and efficient DC-DC converter, which reduces the number of external components and power consumption. SH1123 is suitable for a wide range of compact portable applications, such as car audio, and calculator, etc.



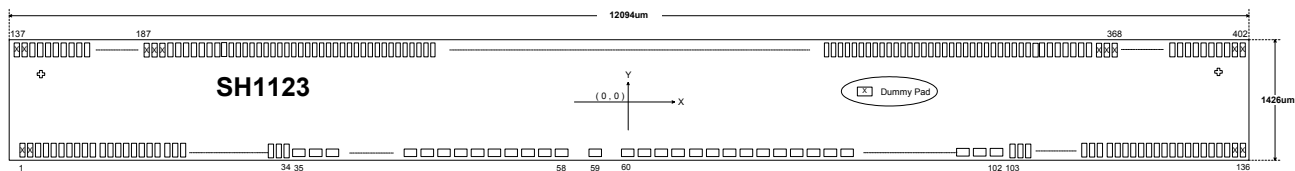
Pin Configuration





SH1123

Pad Configuration





Block Diagram

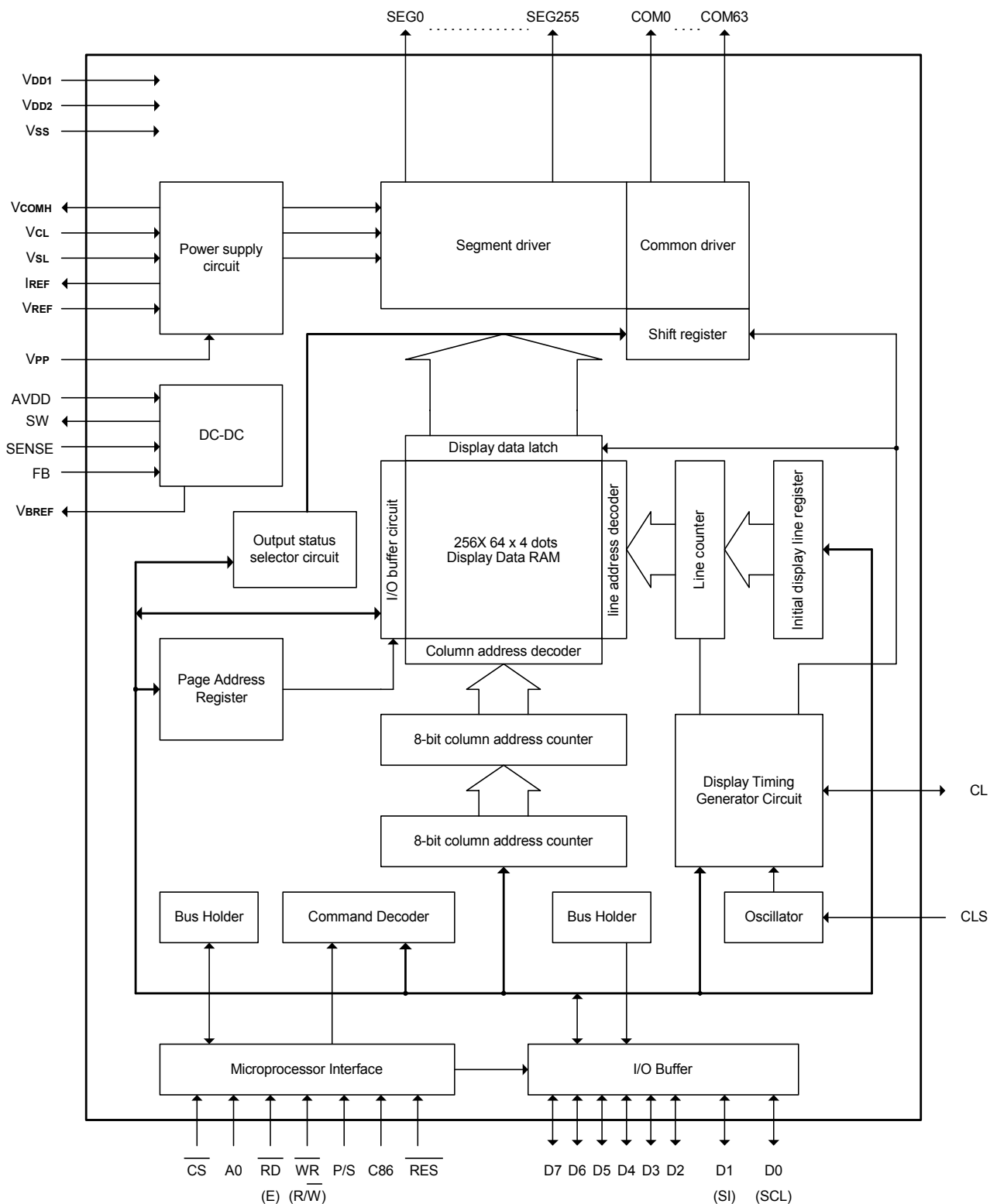


Figure 1 SH1123 block Diagram



Pad Description

Power Supply

Pad No.	Symbol	I/O	Description
70-72	VDD2	Supply	2.4 - 3.5V power supply input pad for logic.
68-69	VDD1	Supply	1.65 - 3.5V power supply input pad.
75,88	VDD1	Supply	1.65 - 3.5V power supply output for pad option.
60-63	AVDD	Supply	2.4 - 3.5V power supply pad for the internal buffer of the DC-DC voltage converter.
53-58	VSS	Supply	Ground.
64,73,77,86,90,	VSS	Supply	Ground output for pad option.
46-49	VPP	Supply	This is the most positive voltage supply pad of the chip. It should be supplied externally.
38-40	VSL	Supply	This is a segment voltage reference pad. A capacitor should be connected between this pad and VSS.
35-37, 100-102	VCL	Supply	This is a common voltage reference pad. This pad should be connected to VSS externally.

OLED Driver Supplies

Pad No.	Symbol	I/O	Description
50	VREF	I	This is a voltage reference pad for pre-charge voltage in driving OLED device. Voltage should be set to match with the OLED driving voltage in current drive phase. It can either be supplied externally or by connecting to VPP.
99	IREF	O	This is a segment current reference pad. A resistor should be connected between this pad and VSS. Set the current at 10 μ A.
41-45	VCOMH	O	This is a pad for the voltage output high level for common signals. A capacitor should be connected between this pad and VSS.
59	SW	O	This is an output pad driving the gate of the external NMOS of the booster circuit.
65	FB	I	This is a feedback resistor input pad for the booster circuit. It is used to adjust the booster output voltage level, VPP.
66	SENSE	I	This is a source current pad of the external NMOS of the booster circuit.
67	VBREF	O	This is an internal voltage reference pad for booster circuit. A stabilization capacitor, typical 1 μ F, should be connected to VSS.



System Bus Connection Pads

Pad No.	Symbol	I/O	Description												
81	CL	I/O	This pad is the system clock input. When internal clock is enabled, this pad should be Left open. The internal clock is output from this pad. When internal oscillator is disabled, this pad receives display clock signal from external clock source.												
89	CLS	I	This is the internal clock enable pad. CLS = "H": Internal oscillator circuit is enabled. CLS = "L": Internal oscillator circuit is disabled (requires external input). When CLS = "L", an external clock source must be connected to the CL pad for normal operation.												
74	C86	I	This is the MPU interface switch pad. C86 = "H": 8080 series MPU interface. C86 = "L": 6800 series MPU interface.												
76	P/S	I	This is the parallel data input/serial data input switch pad. P/S = "H": Parallel data input. P/S = "L": Serial data input. When P/S = "L", D2 to D7 are HZ. D2 to D7 may be "H", "L" or Open. \overline{RD} (E) and \overline{WR} (R/ \overline{W}) are fixed to either "H" or "L". With serial data input, RAM display data reading is not supported. These are MPU interface input selection pads. See the following table for selecting different interfaces: <table border="1" style="margin-left: 20px;"> <thead> <tr> <th></th> <th>6800-Parallel Interface</th> <th>8080-Parallel Interface</th> <th>Serial Interface</th> </tr> </thead> <tbody> <tr> <td>C86</td> <td>0</td> <td>1</td> <td>0</td> </tr> <tr> <td>P/S</td> <td>1</td> <td>1</td> <td>0</td> </tr> </tbody> </table>		6800-Parallel Interface	8080-Parallel Interface	Serial Interface	C86	0	1	0	P/S	1	1	0
	6800-Parallel Interface	8080-Parallel Interface	Serial Interface												
C86	0	1	0												
P/S	1	1	0												
82	\overline{CS}	I	This pad is the chip select input. When \overline{CS} = "L", then the chip select becomes active, and data/command I/O is enabled.												
83	\overline{RES}	I	This is a reset signal input pad. When \overline{RES} is set to "L", the settings are initialized. The reset operation is performed by the \overline{RES} signal level.												
84	A0	I	This is the Data/Command control pad that determines whether the data bits are data or a command. A0 = "H": the inputs at D0 to D7 are treated as display data. A0 = "L": the inputs at D0 to D7 are transferred to the command registers.												
85	\overline{WR} (R/ \overline{W})	I	This is a MPU interface input pad. When connected to an 8080 MPU, this is active LOW. This pad connects to the 8080 MPU \overline{WR} signal. The signals on the data bus are latched at the rising edge of the \overline{WR} signal. When connected to a 6800 Series MPU: This is the read/write control signal input terminal. When R/ \overline{W} = "H": Read. When R/ \overline{W} = "L": Write.												
87	\overline{RD} (E)	I	This is a MPU interface input pad. When connected to an 8080 series MPU, it is active LOW. This pad is connected to the \overline{RD} signal of the 8080 series MPU, and the SH1123 data bus is in an output status when this signal is "L". When connected to a 6800 series MPU, this is active HIGH. This is used as an enable clock input of the 6800 series MPU.												



System Bus Connection Pads (continued)

Pad No.	Symbol	I/O	Description
91-98	D0 - D7 (SCL) (SI)	I/O 	This is an 8-bit bi-directional data bus that connects to an 8-bit or 16-bit standard MPU data bus. When the serial interface is selected, then D0 serves as the serial clock input pad (SCL) and D1 serves as the serial data input pad (SI). At this time, D2 to D7 are set to high impedance. When the chip select is inactive, D0 to D7 are set to high impedance.

OLED Drive Pads

Pad No.	Symbol	I/O	Description
3-34 103-134	COM0 - 63	O	These pads are Common signal output for OLED display.
139-186 190-365 369-400	SEG0 – 255	O	These pads are Segment signal output for OLED display.

Test Pads

Pad No.	Symbol	I/O	Description
78	TEST1	I	Test pads, internal pull low, no connection for user.
80	TEST2	O	Test pads, no connection for user.
79	TEST3	I	Test pads, no connection for user.
1-2,135-138 187-189, 366-368 401-402	NC	-	NC pads, no connection for user.



Functional Description

Microprocessor Interface Selection

The 8080-Parallel Interface, 6800-Parallel Interface or Serial Interface (SPI) can be selected by different selections of C86, P/S as shown in Table 1.

Table. 1

	6800-Parallel Interface	8080-Parallel Interface	Serial Interface
C86	0	1	0
P/S	1	1	0

6800-series Parallel Interface

The parallel interface consists of 8 bi-directional data pads (D7-D0), \overline{WR} (R/ \overline{W}), \overline{RD} (E), A0 and \overline{CS} . When \overline{WR} (R/ \overline{W}) = "H", read operation from the display RAM or the status register occurs. When \overline{WR} (R/ \overline{W}) = "L", Write operation to display data RAM or internal command registers occurs, depending on the status of A0 input. The \overline{RD} (E) input serves as data latch signal (clock) when it is "H", provided that \overline{CS} = "L" as shown in Table. 2.

Table. 2

P/S	C86	Type	\overline{CS}	A0	\overline{RD}	\overline{WR}	D0 to D7
1	0	6800 microprocessor bus	\overline{CS}	A0	E	R/ \overline{W}	D0 to D7

In order to match the operating frequency of display RAM with that of the microprocessor, some pipeline processing are internally performed, which require the insertion of a dummy read before the first actual display data read. This is shown in Figure. 2 below.

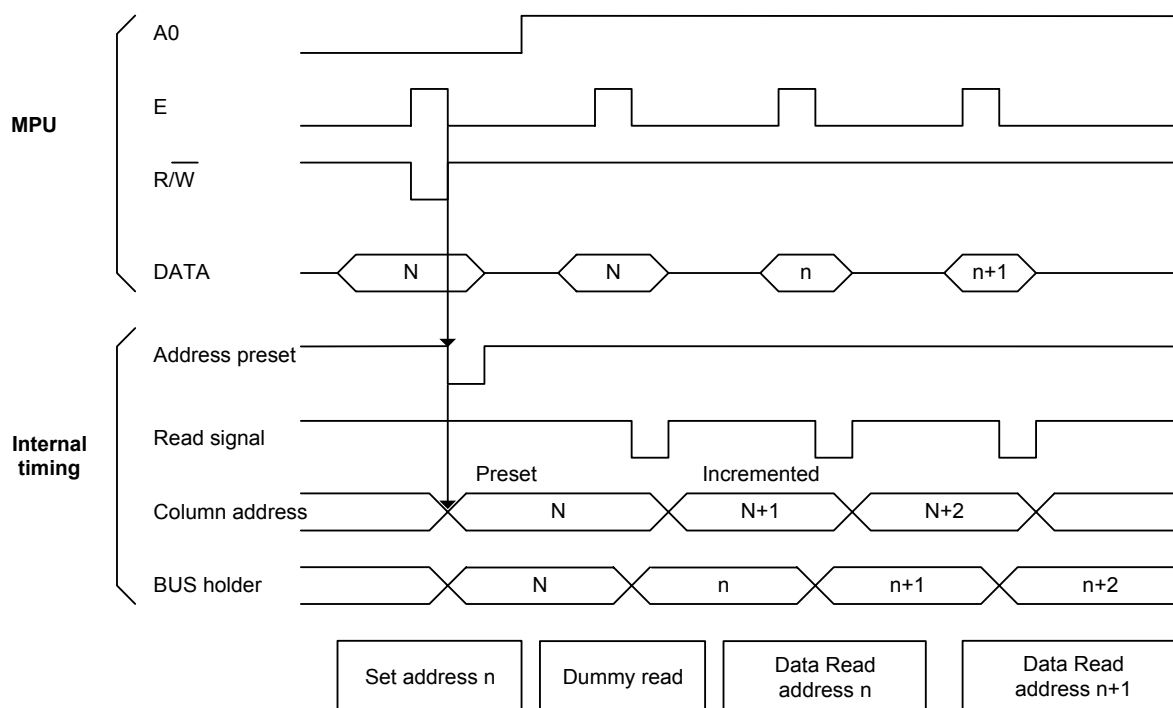


Figure. 2



8080-series Parallel Interface

The parallel interface consists of 8 bi-directional data pads (D7-D0), \overline{WR} (R/ \overline{W}), \overline{RD} (E), A0 and \overline{CS} . The \overline{RD} (E) input serves as data read latch signal (clock) when it is "L" provided that \overline{CS} = "L". Display data or status register read is controlled by A0 signal. The \overline{WR} (R/ \overline{W}) input serves as data write latch signal (clock) when it is "L" and provided that \overline{CS} = "L". Display data or command register write is controlled by A0 as shown in Table. 3.

Table. 3

P/S	C86	Type	\overline{CS}	A0	\overline{RD}	\overline{WR}	D0 to D7
1	1	8080 microprocessor bus	\overline{CS}	A0	\overline{RD}	\overline{WR}	D0 to D7

Similar to 6800-series interface, a dummy read is also required before the first actual display data read.

Data Bus Signals

The SH1123 identifies the data bus signal according to A0, \overline{RD} (E) and \overline{WR} (R/ \overline{W}) signals.

Table. 4

Common	6800 processor A0	8080 processor		Function	
		(R/ \overline{W})	\overline{RD}		\overline{WR}
	1	1	0	1	Reads display data.
	1	0	1	0	Writes display data.
	0	1	0	1	Reads status.
	0	0	1	0	Writes control data in internal register. (Command)



Serial Interface (SPI)

The serial interface consists of serial clock SCL, serial data SI, A0 and \overline{CS} . SI is shifted into an 8-bit shift register on every rising edge of SCL in the order of D7, D6, ... and D0. A0 is sampled on every eighth clock and the data byte in the shift register is written to the display data RAM or command register in the same clock. See Figure. 3.

Table. 5

P/S	C86	Type	\overline{CS}	A0	\overline{RD}	\overline{WR}	D0	D1	D2 to D7
0	0	Serial Interface (SPI)	\overline{CS}	A0	-	-	SCL	SI	(HZ)

Note: “-” Must always be HIGH or LOW.

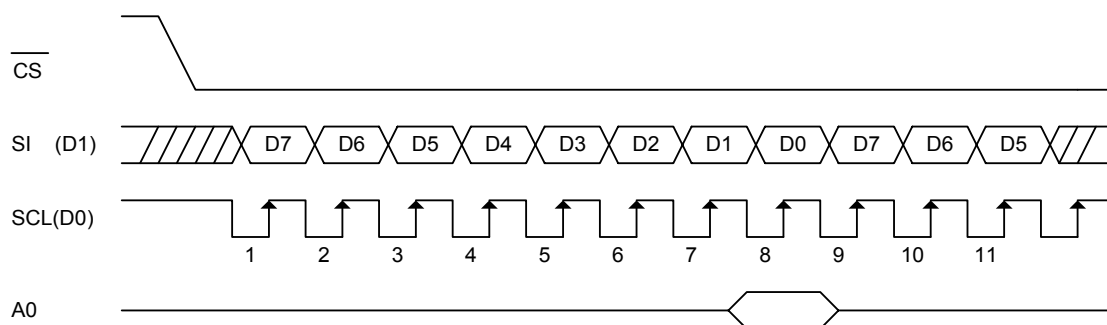


Figure. 3

- When the chip is not active, the shift registers and the counter are reset to their initial statuses.
- Read is not possible while in serial interface mode.
- Caution is required on the SCL signal when it comes to line-end reflections and external noise. We recommend the operation be rechecked on the actual equipment.

Access to Display Data RAM and Internal Registers

This module determines whether the input data is interpreted as data or command. When A0 = “H”, the inputs at D7 - D0 are interpreted as data and be written to display RAM. When A0 = “L”, the inputs at D7 - D0 are interpreted as command, they will be decoded and be written to the corresponding command registers.



Display Data RAM

The Display Data RAM is a bit mapped static RAM holding the bit pattern to be displayed. The size of the RAM is 256 X 64 X 4 bits as shown in figure 3.

For mechanical flexibility, re-mapping on both segment and common outputs can be selected by software.

For vertical scrolling of the display, an internal register storing display start line can be set to control the portion of the RAM data to be mapped to the display.

Column \ Row		COL0				COL1				---	COL254				COL255			
		D7	D6	D5	D4	D3	D2	D1	D0	---	D7	D6	D5	D4	D3	D2	D1	D0
0		D7	D6	D5	D4	D3	D2	D1	D0	---	D7	D6	D5	D4	D3	D2	D1	D0
1		D7	D6	D5	D4	D3	D2	D1	D0	---	D7	D6	D5	D4	D3	D2	D1	D0
2		D7	D6	D5	D4	D3	D2	D1	D0	---	D7	D6	D5	D4	D3	D2	D1	D0
---		---																
62		D7	D6	D5	D4	D3	D2	D1	D0	---	D7	D6	D5	D4	D3	D2	D1	D0
63		D7	D6	D5	D4	D3	D2	D1	D0	---	D7	D6	D5	D4	D3	D2	D1	D0
ADC	=0	SEG0				SEG1				---	SEG254				SEG255			
	=1	SEG255				SEG254				---	SEG1				SEG0			

Figure. 4

The Column/Row Address

As shown in Figure. 3, the display data RAM column address is specified by the Column and Row Address Set command. The specified column address is incremented (+1) with each display data read/ write command. When the Column address reaches the edge, it will be cleared and the row address will be incremented 1.

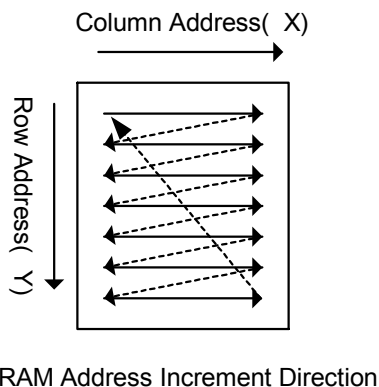


Figure 5

Furthermore, as shown in Table 6, the Column re-mapping (ADC) command (segment driver direction select command) can be used to reverse the relationship between the display data RAM column address and the segment output. Because of this, the constraints on the IC layout when the OLED module is assembled can be minimized.

Table. 6

Segment Output	SEG0	SEG255
ADC "0"	0 (H) →	Column Address → FF (H)
ADC "1"	FF (H) ←	Column Address ← 0 (H)



The Row Address Circuit

The Row address circuit specifies the Row address of display RAM and the Row address relating to the common output using the display start line set command, what is normally the top line of the display can be specified.

The screen scrolling function is active by changing display start line dynamically using the display start line set command.

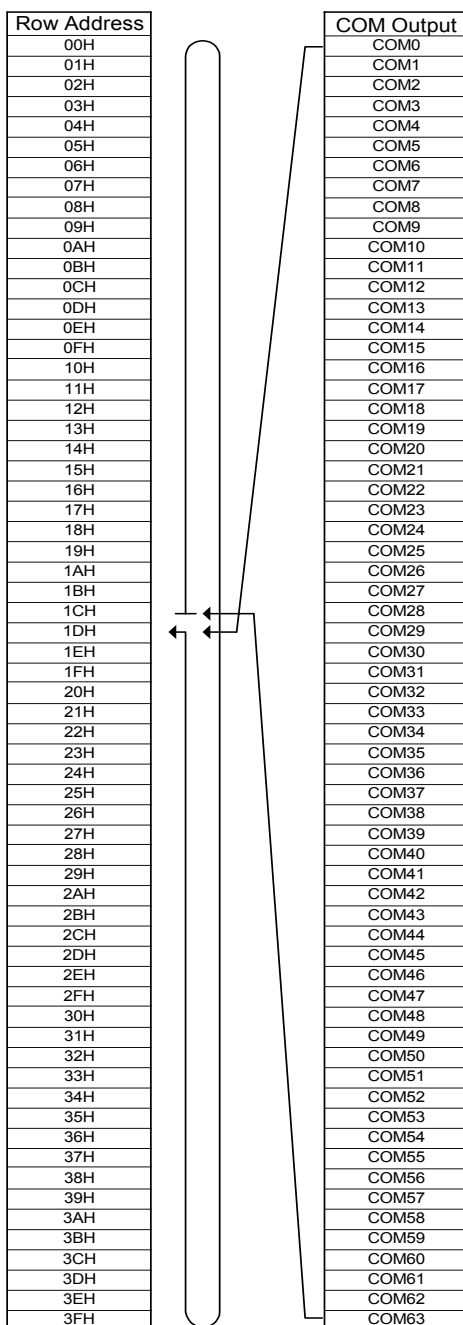


Figure 6 Display Start Line Setting function



The Oscillator Circuit

This is a RC type oscillator (Figure. 7) that produces the display clock. The oscillator circuit is only enabled when CLS = "H". When CLS = "L", the oscillation stops and the display clock is inputted through the CL terminal.

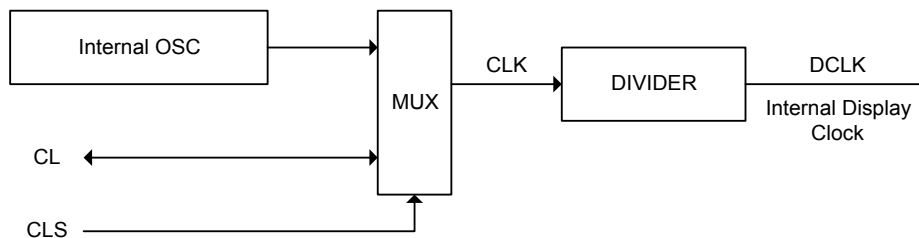


Figure. 7



DC-DC Voltage Converter

It is a switching voltage generator circuit, designed for hand held applications. In SH1123, built-in DC-DC voltage converter accompanied with an external application circuit (shown in Figure. 8) can generate a high voltage supply V_{PP} from a low voltage supply input V_{DD} . V_{PP} is the voltage supply to the OLED driver block.

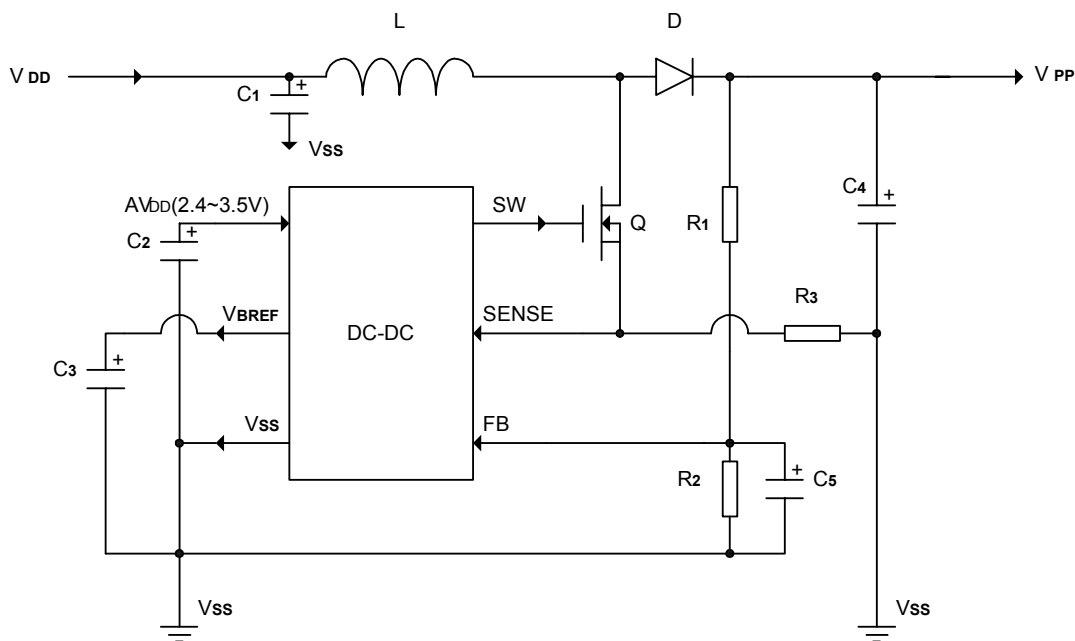


Figure. 8

$$V_{PP} = \left(1 + \frac{R1}{R2}\right) \times V_{BREF}, \text{ (R2: } 80 - 120k\Omega \text{)}$$

Current Control and Voltage Control

This block is used to derive the incoming power sources into different levels of internal use voltage and current. V_{PP} and V_{DD2} are external power supplies. V_{REF} , a reference voltage, which is used to derive the driving voltage for segments and commons. I_{REF} is a reference current source for segment current drivers.

Common Drivers/Segment Drivers

Segment drivers deliver 256 current sources to drive OLED panel. The driving current can be adjusted up to 400 μ A with 256 steps. Common drivers generate voltage scanning pulses.

16 Grayscale

There are 16 level grayscale for segment driver. The grayscale table is as following.

RAM Data	Pulse Duty	Pulse width
0000	0	0(DCLK)
0001	1/15	4(DCLK)
0010	2/15	8(DCLK)
0011	3/15	12(DCLK)
...		
1110	14/15	56(DCLK)
1111	15/15	60(DCLK)



Reset Circuit

When the $\overline{\text{RES}}$ input falls to “L”, these reenter their default state. The default settings are shown below:

1. Display is OFF. Common and segment are in high impedance state.
2. 256 X 64 Display mode
3. Normal segment and display data column address and row address mapping (SEG0 is mapped to column address 00H and COM0 mapped to row address 00H).
4. Shift register data clear in serial interface.
5. Display start line is set at display RAM Row address 00H.
6. Column address counter is set at 0.
7. Normal scanning direction of the common outputs.
8. Contrast control register is set at 80H.
9. Internal DC-DC is selected.



Commands

The SH1123 uses a combination of A0, \overline{RD} (E) and \overline{WR} (R/ \overline{W}) signals to identify data bus signals. As the chip analyzes and executes each command using internal timing clock only regardless of external clock, its processing speed is very high and its busy check is usually not required. The 8080 series microprocessor interface enters a read status when a low pulse is input to the \overline{RD} pad and a write status when a low pulse is input to the \overline{WR} pad. The 6800 series microprocessor interface enters a read status when a high pulse is input to the R/ \overline{W} pad and a write status when a low pulse is input to this pad. When a high pulse is input to the E pad, the command is activated. (For timing, see AC Characteristics.). Accordingly, in the command explanation and command table, \overline{RD} (E) becomes 1(HIGH) when the 6800 series microprocessor interface reads status of display data. This is an only different point from the 8080 series microprocessor interface.

Taking the 8080 series, microprocessor interface as an example command will explain below.

When the serial interface is selected, input data starting from D7 in sequence.

Command Set

1. Set Lower Column Address of display RAM: (00H - 0FH)
2. Set Higher Column Address of display RAM: (10H - 17H)

Specifies column address of display RAM. Divide the column address into 3 higher bits and 4 lower bits. Set each of them into successions. When the microprocessor repeats to access to the display RAM, the column address counter is incremented during each access until address 128 is accessed. The row address is not changed during this time.

	A0	\overline{RD} / E	\overline{WR} / R/ \overline{W}	D7	D6	D5	D4	D3	D2	D1	D0
Higher bits	0	1	0	0	0	0	1	0	A6	A5	A4
Lower bits	0	1	0	0	0	0	0	A3	A2	A1	A0

A6	A5	A4	A3	A2	A1	A0	Column address
0	0	0	0	0	0	0	0
0	0	0	0	0	0	1	1
			:				:
1	1	1	1	1	1	1	127

3~5. Blank



6. Set Display Start Line: (40H - 7FH)

Specifies Row address to determine the initial display line or COM0. The RAM display data becomes the top line of OLED screen. It is followed by the higher number of lines in ascending order, corresponding to the duty cycle. When this command changes the Row address, the smooth scrolling or page change takes place.

A0	$\frac{E}{RD}$	$\frac{R/\overline{W}}{\overline{WR}}$	D7	D6	D5	D4	D3	D2	D1	D0
0	1	0	0	1	A5	A4	A3	A2	A1	A0

A5	A4	A3	A2	A1	A0	Row address
0	0	0	0	0	0	0
0	0	0	0	0	1	1
			:			:
1	1	1	1	1	0	62
1	1	1	1	1	1	63



7. Set Contrast Control Register: (Double Bytes Command)

This command is to set contrast setting of the display. The chip has 256 contrast steps from 00 to FF. The segment output current increases as the contrast step value increases.

Segment output current setting: $I_{SEG} = \alpha/256 \times I_{REF} \times \text{scale factor}$

Where: α is contrast step; I_{REF} is reference current equals 10 μ A; Scale factor = 40.

■ The Contrast Control Mode Set: (81H)

When this command is input, the contrast data register set command becomes enabled. Once the contrast control mode has been set, no other command except for the contrast data register command can be used. Once the contrast data set command has been used to set data into the register, then the contrast control mode is released.

A0	$\frac{E}{RD}$	$\frac{R/\overline{W}}{WR}$	D7	D6	D5	D4	D3	D2	D1	D0
0	1	0	1	0	0	0	0	0	0	1

■ Contrast Data Register Set: (00H - FFH)

By using this command to set eight bits of data to the contrast data register, the OLED segment output assumes one of the 256 current levels.

When this command is input, the contrast control mode is released after the contrast data register has been set.

A0	$\frac{E}{RD}$	$\frac{R/\overline{W}}{WR}$	D7	D6	D5	D4	D3	D2	D1	D0	I _{SEG}
0	1	0	0	0	0	0	0	0	0	0	Small
0	1	0	0	0	0	0	0	0	1	0	
0	1	0	0	0	0	0	0	0	1	1	
0	1	0					:				:
0	1	0	1	0	0	0	0	0	0	0	POR
0	1	0					:				:
0	1	0	1	1	1	1	1	1	1	0	
0	1	0	1	1	1	1	1	1	1	1	Large

8. Set Segment Re-map: (A0H - A1H)

Change the relationship between RAM column address and segment driver. The order of segment driver output pads can be reversed by software. This allows flexible IC layout during OLED module assembly. For details, refer to the column address section of ADC. When display data is written or read, the column address is incremented by 1 as shown in Figure. 2.

A0	$\frac{E}{RD}$	$\frac{R/\overline{W}}{WR}$	D7	D6	D5	D4	D3	D2	D1	D0
0	1	0	1	0	1	0	0	0	0	ADC

When ADC = "L", the right rotates (normal direction). (POR)

When ADC = "H", the left rotates (reverse direction).

NOTE: The Set Segment Re-map command will change the address counter value, so it is recommended to set segment re-map in the initial program.

9. Set Entire Display OFF/ON: (A4H - A5H)

Forcibly turns the entire display on regardless of the contents of the display data RAM. At this time, the contents of the display data RAM are held.

This command has priority over the normal/reverse display command.

A0	$\frac{E}{RD}$	$\frac{R/\overline{W}}{WR}$	D7	D6	D5	D4	D3	D2	D1	D0
0	1	0	1	0	1	0	0	1	0	D

When D = "L", the normal display status is provided. (POR)

When D = "H", the entire display ON status is provided.



10. Set Normal/Reverse Display: (A6H -A7H)

Reverses the display ON/OFF status without rewriting the contents of the display data RAM.

A0	$\frac{E}{RD}$	$\frac{R/\overline{W}}{WR}$	D7	D6	D5	D4	D3	D2	D1	D0
0	1	0	1	0	1	0	0	1	1	D

When D = "L", the RAM data is high, being OLED ON potential (normal display). (POR)

When D = "H", the RAM data is low, being OLED ON potential (reverse display)

11. Set Multiplex Ratio: (Double Bytes Command)

This command switches default 64 multiplex modes to any multiplex ratio from 1 to 64. The output pads COM0-COM63 will be switched to corresponding common signal.

■ Multiplex Ratio Mode Set: (A8H)

A0	$\frac{E}{RD}$	$\frac{R/\overline{W}}{WR}$	D7	D6	D5	D4	D3	D2	D1	D0
0	1	0	1	0	1	0	1	0	0	0

■ Multiplex Ratio Data Set: (00H - 3FH)

A0	$\frac{E}{RD}$	$\frac{R/\overline{W}}{WR}$	D7	D6	D5	D4	D3	D2	D1	D0	Multiplex Ratio
0	1	0	*	*	0	0	0	0	0	0	1
0	1	0	*	*	0	0	0	0	1	0	2
0	1	0	*	*	0	0	0	0	1	1	3
0	1	0					:				:
0	1	0	*	*	1	1	1	1	1	0	63
0	1	0	*	*	1	1	1	1	1	1	64 (POR)

12. DC-DC Setting: (Double Bytes Command)

This command is to control the DC-DC voltage converter status and the switch frequency. Issuing this command then display ON command will turn on the converter. The panel display must be off while issuing this command.

■ DC-DC Control Mode Set: (ADH)

A0	$\frac{E}{RD}$	$\frac{R/\overline{W}}{WR}$	D7	D6	D5	D4	D3	D2	D1	D0
0	1	0	1	0	1	0	1	1	0	1

■ DC-DC ON/OFF Mode Set:

A0	$\frac{E}{RD}$	$\frac{R/\overline{W}}{WR}$	D7	D6	D5	D4	D3	D2	D1	D0
0	1	0	1	0	0	0	F2	F1	F0	D

When D = "L", DC-DC is disable.

When D = "H", DC-DC will be turned on when display on. (POR)

DC-DC STATUS	DISPLAY ON/OFF STATUS	Description
0	0	Sleep mode
0	1	External VPP must be used.
1	0	Sleep mode
1	1	Built-in DC-DC is used, Normal Display



F2	F1	F0	Switch Frequency
0	0	0	0.6SF kHz (POR)
0	0	1	0.7SF kHz
0	1	0	0.8SF kHz
0	1	1	0.9SF kHz
1	0	0	SF kHz
1	0	1	1.1SF kHz
1	1	0	1.2SF kHz
1	1	1	1.3SF kHz

SF=400kHz ± 25%

13. Display OFF/ON: (AEH - AFH)

Alternatively turns the display on and off.

A0	$\frac{E}{RD}$	$\frac{R/\overline{W}}{WR}$	D7	D6	D5	D4	D3	D2	D1	D0
0	1	0	1	0	1	0	1	1	1	D

When D = "L", Display OFF OLED. (POR)

When D = "H", Display ON OLED.

When the display OFF command is executed, power saver mode will be entered.

Sleep mode:

This mode stops every operation of the OLED display system, and can reduce current consumption nearly to a static current value if no access is made from the microprocessor. The internal status in the sleep mode is as follows:

- (1) Stops the oscillator circuit and DC-DC circuit.
- (2) Stops the OLED drive and outputs HZ as the segment/common driver output.
- (3) Holds the display data and operation mode provided before the start of the sleep mode.
- (4) The MPU can access to the built-in display RAM.

14. Set Row Address of Display RAM: (Double Bytes Command)

Specifies Row address to load display RAM data to Row address register. Any RAM data bit can be accessed when its Row address and column address are specified. The display remains unchanged even when the Row address is changed.

■ Row address Mode Setting: (B0H)

A0	$\frac{E}{RD}$	$\frac{R/\overline{W}}{WR}$	D7	D6	D5	D4	D3	D2	D1	D0
0	1	0	1	0	1	1	0	0	0	0

■ Row address setting:

A0	$\frac{E}{RD}$	$\frac{R/\overline{W}}{WR}$	D7	D6	D5	D4	D3	D2	D1	D0
0	1	0	*	*	A5	A4	A3	A2	A1	A0

A5	A4	A3	A2	A1	A0	Row address
0	0	0	0	0	0	0(POR)
0	0	0	0	0	1	1
0	0	0	0	1	0	2



0	0	0	0	1	1	3
...
1	1	1	1	0	1	3DH
1	1	1	1	1	0	3EH
1	1	1	1	1	1	3FH

15. Set Common Output Scan Direction: (C0H - C8H)

This command sets the scan direction of the common output allowing layout flexibility in OLED module design. In addition, the display will have immediate effect once this command is issued. That is, if this command is sent during normal display, the graphic display will be vertically flipped.

A0	$\frac{E}{RD}$	$\frac{R/\overline{W}}{WR}$	D7	D6	D5	D4	D3	D2	D1	D0
0	1	0	1	1	0	0	D	*	*	*

When D = "L", Scan from COM0 to COM [N -1]. (POR)

When D = "H", Scan from COM [N -1] to COM0.

16. Set Display Offset: (Double Bytes Command)

This is a double byte command. The next command specifies the mapping of display start line to one of COM0-63 (it is assumed that COM0 is the display start line, that equals to 0). For example, to move the COM16 towards the COM0 direction for 16 lines, the 6-bit data in the second byte should be given by 010000. To move in the opposite direction by 16 lines, the 6-bit data should be given by (64-16), so the second byte should be 100000.

■ Display Offset Mode Set: (D3H)

A0	$\frac{E}{RD}$	$\frac{R/\overline{W}}{WR}$	D7	D6	D5	D4	D3	D2	D1	D0
0	1	0	1	1	0	1	0	0	1	1

■ Display Offset Data Set: (00H~3FH)

A0	$\frac{E}{RD}$	$\frac{R/\overline{W}}{WR}$	D7	D6	D5	D4	D3	D2	D1	D0	COMx
0	1	0	*	*	0	0	0	0	0	0	0 (POR)
0	1	0	*	*	0	0	0	0	1	0	1
0	1	0	*	*	0	0	0	0	1	1	2
0	1	0					:				:
0	1	0	*	*	1	1	1	1	1	0	62
0	1	0	*	*	1	1	1	1	1	1	63

Note: "*" stands for "Don't care"



17. Set Display Clock Divide Ratio/Oscillator Frequency: (Double Bytes Command)

This command is used to set the frequency of the internal display clocks (DCLKs). It is defined as the divide ratio (Value from 1 to 16) used to divide the oscillator frequency. POR is 1. Frame frequency is determined by divide ratio, number of display clocks per row, MUX ratio and oscillator frequency.

■ Divide Ratio/Oscillator Frequency Mode Set: (D5H)

A0	$\frac{E}{RD}$	$\frac{R/\overline{W}}{WR}$	D7	D6	D5	D4	D3	D2	D1	D0
0	1	0	1	1	0	1	0	1	0	1

■ Divide Ratio/Oscillator Frequency Data Set: (00H - 3FH)

A0	$\frac{E}{RD}$	$\frac{R/\overline{W}}{WR}$	D7	D6	D5	D4	D3	D2	D1	D0
0	1	0	A7	A6	A5	A4	A3	A2	A1	A0

A3 - A0 defines the divide ration of the display clocks (DCLK). Divide Ratio = A[3:0]+1.

A3	A2	A1	A0	Divide Ratio
0	0	0	0	1 (POR)
		:		:
1	1	1	1	16

A7 - A4 sets the oscillator frequency. Oscillator frequency increase with the value of A[7:4] and vice versa.

A7	A6	A5	A4	Oscillator Frequency of f_{osc}
0	0	0	0	-25%
0	0	0	1	-20%
0	0	1	0	-15%
0	0	1	1	-10%
0	1	0	0	-5%
0	1	0	1	f_{osc} (POR)
0	1	1	0	+5%
0	1	1	1	+10%
1	0	0	0	+15%
1	0	0	1	+20%
1	0	1	0	+25%
1	0	1	1	+30%
1	1	0	0	+35%
1	1	0	1	+40%
1	1	1	0	+45%
1	1	1	1	+50%



18. Set Discharge/Precharge Period: (Double Bytes Command)

This command is used to set the duration of the Precharge/Discharge period. The interval is counted in number of DCLK. POR is 2 DCLKs.

■ Precharge/Discharge Period Mode Set: (D9H)

A0	$\frac{E}{RD}$	$\frac{R/\overline{W}}{\overline{WR}}$	D7	D6	D5	D4	D3	D2	D1	D0
0	1	0	1	1	0	1	1	0	0	1

■ Precharge/Discharge Period Data Set: (00H - FFH)

A0	$\frac{E}{RD}$	$\frac{R/\overline{W}}{\overline{WR}}$	D7	D6	D5	D4	D3	D2	D1	D0
0	1	0	A7	A6	A5	A4	A3	A2	A1	A0

Precharge Period Adjust: (A3 - A0)

A3	A2	A1	A0	Pre-charge Period
0	0	0	0	INVALID
0	0	0	1	1 DCLKs
0	0	1	0	2 DCLKs (POR)
		:		:
1	1	1	0	14 DCLKs
1	1	1	1	15 DCLKs

Discharge Period Adjust: (A7 - A4)

A7	A6	A5	A4	Dis-charge Period
0	0	0	0	INVALID
0	0	0	1	1 DCLKs
0	0	1	0	2 DCLKs (POR)
		:		:
1	1	1	0	14 DCLKs
1	1	1	1	15 DCLKs

19. Set Common pads hardware configuration: (Double Bytes Command)

This command is to set the common signals pad configuration (sequential or alternative) to match the OLED panel hardware layout.

■ Common Pads Hardware Configuration Mode Set: (DAH)

A0	$\frac{E}{RD}$	$\frac{R/\overline{W}}{\overline{WR}}$	D7	D6	D5	D4	D3	D2	D1	D0
0	1	0	1	1	0	1	1	0	1	0

■ Sequential/Alternative Mode Set: (02H - 12H)

A0	$\frac{E}{RD}$	$\frac{R/\overline{W}}{\overline{WR}}$	D7	D6	D5	D4	D3	D2	D1	D0
0	1	0	0	0	0	D	0	0	1	0

When D = "L", Sequential.

COM31, 30 - 1, 0	SEG0, 1 - 130, 131	COM32, 33 - 62, 63
------------------	--------------------	--------------------

When D = "H", Alternative. (POR)

COM62, 60 - 2, 0	SEG0, 1 - 130, 131	COM1, 3 - 61, 63
------------------	--------------------	------------------



20. Set VCOM Deselect Level: (Double Bytes Command)

This command is to set the common pad output voltage level at deselect stage.

■ VCOM Deselect Level Mode Set: (DBH)

A0	\overline{E} \overline{RD}	$\overline{R/W}$ \overline{WR}	D7	D6	D5	D4	D3	D2	D1	D0
0	1	0	1	1	0	1	1	0	1	1

■ VCOM Deselect Level Data Set: (00H - FFH)

A0	\overline{E} \overline{RD}	$\overline{R/W}$ \overline{WR}	D7	D6	D5	D4	D3	D2	D1	D0
0	1	0	A7	A6	A5	A4	A3	A2	A1	A0

$$V_{COMH} = \beta \times V_{REF} = (0.430 + A[7:0] \times 0.006415) \times V_{REF}$$

A[7:0]	β	A[7:0]	β
00H	0.430	20H	
01H			
02H			
03H			
04H			
05H			
06H			
07H			
08H			
09H			
0AH			
0BH			
0CH			
0DH			
0EH			
0FH			
10H	0.770 (POR)	30H	
11H			
12H			
13H			
14H			
15H			
16H			
17H			
18H			
19H			
1AH			
1BH			
1CH			
1DH			
1EH			
1FH			
40H - FFH	1		



21. Set Discharge VSL Level (30H – 3FH):

This command is to set the Segment output discharge voltage level.

A0	$\frac{E}{RD}$	$\frac{R/\overline{W}}{\overline{WR}}$	D7	D6	D5	D4	D3	D2	D1	D0
0	1	0	0	0	1	1	D3	D2	D1	D0

This command is to set the segment discharge voltage level

D[3:0]	VSL
00H	0V(Default)
01H	0.1VREF
02H	0.125 VREF
03H	0.150 VREF
04H	0.175 VREF
05H	0.2 VREF
06H	0.225 VREF
07H	0.250 VREF
08H	0.275 VREF
09H	0.3 VREF
0AH	0.325 VREF
0BH	0.350 VREF
0CH	0.375 VREF
0DH	0.4 VREF
0EH	0.425 VREF
0FH	0.450 VREF

22. Read-Modify-Write: (E0H)

A pair of Read-Modify-Write and End commands must always be used. Once read-modify-write is issued, column address is not incremental by read display data command but incremental by write display data command only. It continues until End command is issued. When the End is issued, column address returns to the address when read-modify-write is issued. This can reduce the microprocessor load when data of a specific display area is repeatedly changed during cursor blinking or others.

A0	$\frac{E}{RD}$	$\frac{R/\overline{W}}{\overline{WR}}$	D7	D6	D5	D4	D3	D2	D1	D0
0	1	0	1	1	1	0	0	0	0	0

Cursor display sequence:

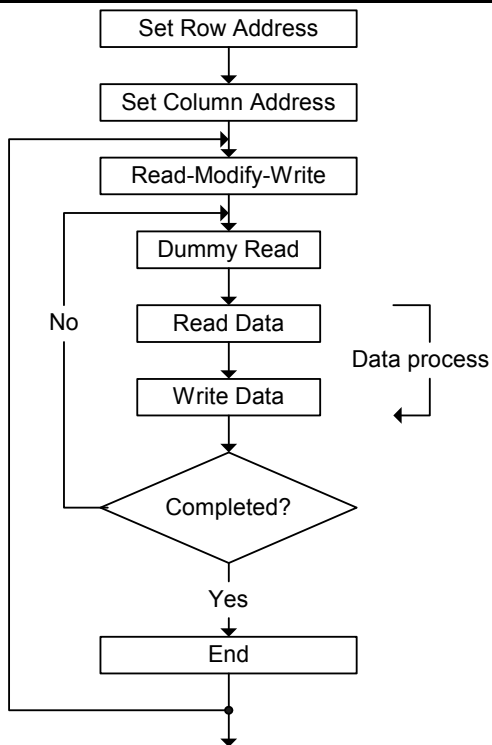


Figure. 9

23. End: (EEH)

Cancels Read-Modify-Write mode and returns column address to the original address (when Read-Modify-Write is issued.)

A0	$\frac{E}{RD}$	$\frac{R/\bar{W}}{\bar{WR}}$	D7	D6	D5	D4	D3	D2	D1	D0
0	1	0	1	1	1	0	1	1	1	0

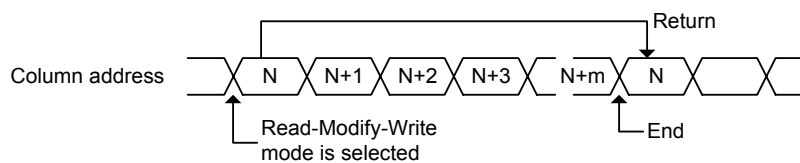


Figure. 10



24. NOP: (E3H)

Non-Operation Command.

A0	\overline{E} RD	$\overline{R/W}$ WR	D7	D6	D5	D4	D3	D2	D1	D0
0	1	0	1	1	1	0	0	0	1	1

25. Write Display Data

Write 8-bit data in display RAM. As the column address is incremental by 1 automatically after each write, the microprocessor can continue to write data of multiple words.

A0	\overline{E} RD	$\overline{R/W}$ WR	D7	D6	D5	D4	D3	D2	D1	D0
1	1	0	Write RAM data							

26. Read Status

A0	\overline{E} RD	$\overline{R/W}$ WR	D7	D6	D5	D4	D3	D2	D1	D0
0	0	1	BUSY	ON/OFF	*	*	*	0	0	0

BUSY: When high, the SH1123 is busy due to internal operation or reset. Any command is rejected until BUSY goes low. The busy check is not required if enough time is provided for each cycle.

ON/OFF: Indicates whether the display is on or off. When goes low the display turns on. When goes high, the display turns off. This is the opposite of Display ON/OFF command.

27. Read Display Data

Reads 8-bit data from display RAM area specified by column address and Row address. As the column address is increment by 1 automatically after each writing, the microprocessor can continue to read data of multiple words. A single dummy read is required immediately after column address being setup. Refer to the display RAM section of FUNCTIONAL DESCRIPTION for details. Note that no display data can be read via the serial interface.

A0	\overline{E} RD	$\overline{R/W}$ WR	D7	D6	D5	D4	D3	D2	D1	D0
1	0	1	Read RAM data							



Command Table

Command	Code											Function	
	A0	RD	WR	D7	D6	D5	D4	D3	D2	D1	D0		
1. Set Column Address 4 lower bits	0	1	0	0	0	0	0	Lower column address					Sets 4 lower bits of column address of display RAM in register. (POR = 00H)
2. Set Column Address 3 higher bits	0	1	0	0	0	0	1	0	Higher column address				Sets 3 higher bits of column address of display RAM in register. (POR = 10H)
3. Reserved Command	0	1	0	0	0	1	0	0	1	0	0		Reserved
4. Reserved Command	0	1	0	0	0	1	0	0	1	1	0		Reserved
5. Reserved Command	0	1	0	0	0	1	0	1	1	1	D		Reserved
6. Set Display Start Line	0	1	0	0	1	Start Line address						Specifies RAM display line for COM0. (POR = 40H)	
7. The Contrast Control Mode Set	0	1	0	1	0	0	0	0	0	0	1		This command is to set Contrast Setting of the display.
Contrast Data Register Set	0	1	0	Contrast Data								The chip has 256 contrast steps from 00 to FF. (POR = 80H)	
8. Set Segment Re-map (ADC)	0	1	0	1	0	1	0	0	0	0	ADC		The right (0) or left (1) rotation. (POR = A0H)
9. Set Entire Display OFF/ON	0	1	0	1	0	1	0	0	1	0	D		Selects normal display (0) or Entire Display ON (1). (POR = A4H)
10. Set Normal/Reverse Display	0	1	0	1	0	1	0	0	1	1	D		Normal indication (0) when low, but reverse indication (1) when high. (POR = A6H)
11. Multiplex Ration Mode Set	0	1	0	1	0	1	0	1	0	0	0		This command switches default 63 multiplex mode to any multiplex ratio from 1 to 64. (POR = 3FH)
Multiplex Ration Data Set	0	1	0	*	*	Multiplex Ratio							
12. DC-DC Control Mode Set	0	1	0	1	0	1	0	1	1	0	1		This command is to control the DC-DC voltage and the switch frequency. (POR = 81H)
DC-DC ON/OFF Mode Set	0	1	0	1	0	0	0	F2	F1	F0	D		



Command Table (Continued)

Command	Code											Function
	A0	RD	WR	D7	D6	D5	D4	D3	D2	D1	D0	
13. Display OFF/ON	0	1	0	1	0	1	0	1	1	1	D	Turns on OLED panel (1) or turns off (0). (POR = AEH)
14. Row Address Set Row Address	0	1	0	1	0	1	1	0	0	0	0	Specifies Row address to load display RAM data to Row address register. (POR = 00H)
	0	1	0	*	*	Row Address						
15. Set Common Output Scan Direction	0	1	0	1	1	0	0	D	*	*	*	Scan from COM0 to COM [N - 1] (0) or Scan from COM [N -1] to COM0 (1). (POR = C0H)
16. Display Offset Mode Set Display Offset Data Set	0	1	0	1	1	0	1	0	0	1	1	This is a double byte command that specifies the mapping of display start line to one of COM0-63. (POR = 00H)
	0	1	0	*	*	COMx						
17. Set Display Divide Ratio/Oscillator Frequency Mode Set Divide Ratio/Oscillator Frequency Data Set	0	1	0	1	1	0	1	0	1	0	1	This command is used to set the frequency of the internal display clocks. (POR = 50H)
	0	1	0	Oscillator Frequency				Divide Ratio				
18. Dis-charge / Pre-charge Period Mode Set Dis-charge /Pre-charge Period Data Set	0	1	0	1	1	0	1	1	0	0	1	This command is used to set the duration of the dis-charge and pre-charge period. (POR = 22H)
	0	1	0	Dis-charge Period				Pre-charge Period				
19. Common Pads Hardware Configuration Mode Set Sequential/Alternative Mode Set	0	1	0	1	1	0	1	1	0	1	0	This command is to set the common signals pad configuration. (POR = 12H)
	0	1	0	0	0	0	D	0	0	1	0	
20. VCOM Deselect Level Mode Set VCOM Deselect Level Data Set	0	1	0	1	1	0	1	1	0	1	1	This command is to set the common pad output voltage level at deselect stage. (POR = 35H)
	0	1	0	VCOM ($\beta \times V_{REF}$)								
21. Discharge voltage VSL level setting	0	1	0	0	0	1	1	D3	D2	D1	D0	Set the discharge voltage level.
22. Read-Modify-Write	0	1	0	1	1	1	0	0	0	0	0	Read-Modify-Write start.
23. End	0	1	0	1	1	1	0	1	1	1	0	Read-Modify-Write end.
24. NOP	0	1	0	1	1	1	0	0	0	1	1	Non-Operation Command
25. Write Display Data	1	1	0	Write RAM data								
26. Read Status	0	0	1	BUSY	ON/OFF	*	*	*	0	0	0	
27. Read Display Data	1	0	1	Read RAM data								

Note: Do not use any others command, or the system malfunction may result.

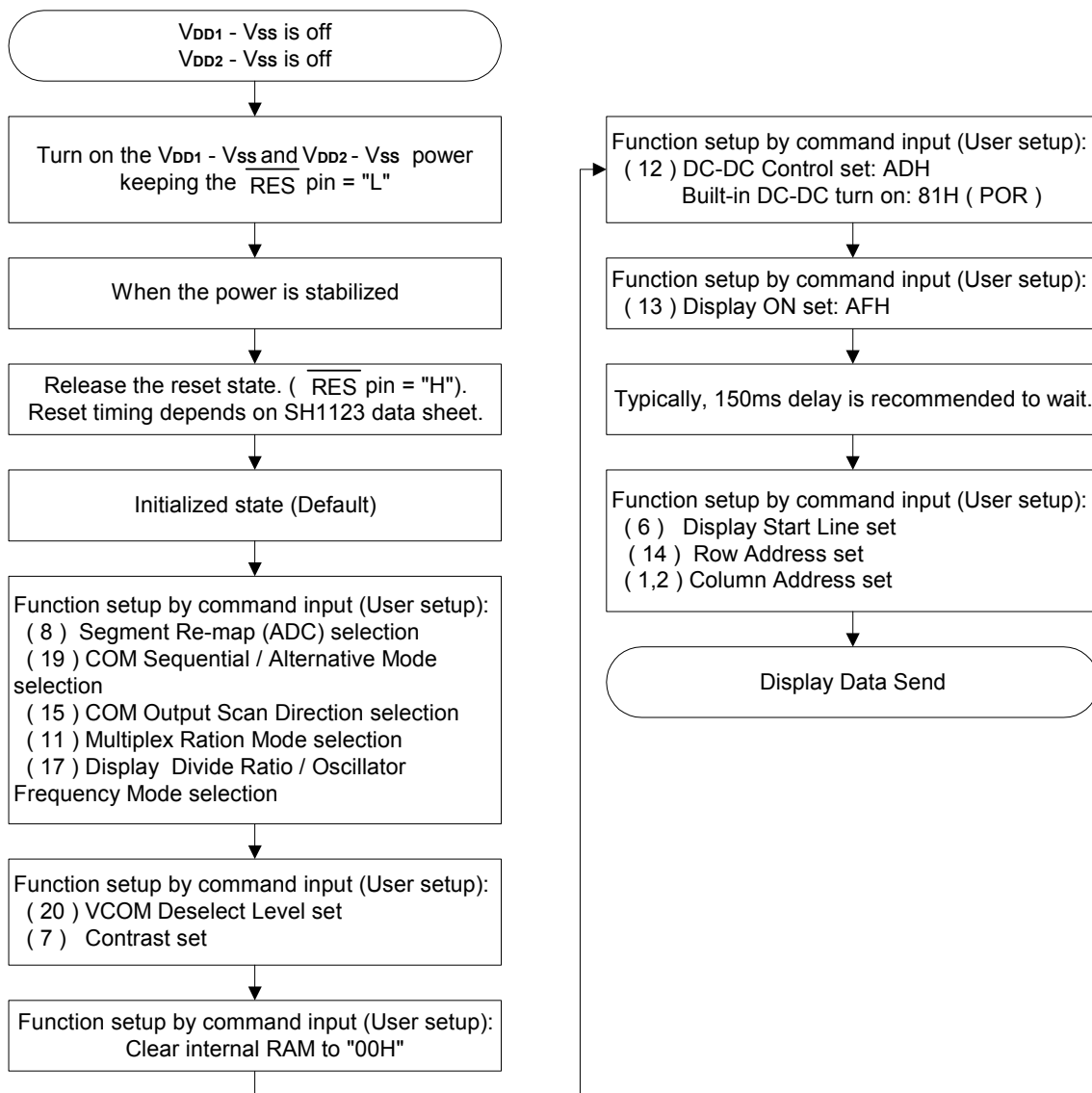


Command Description

Instruction Setup: Reference

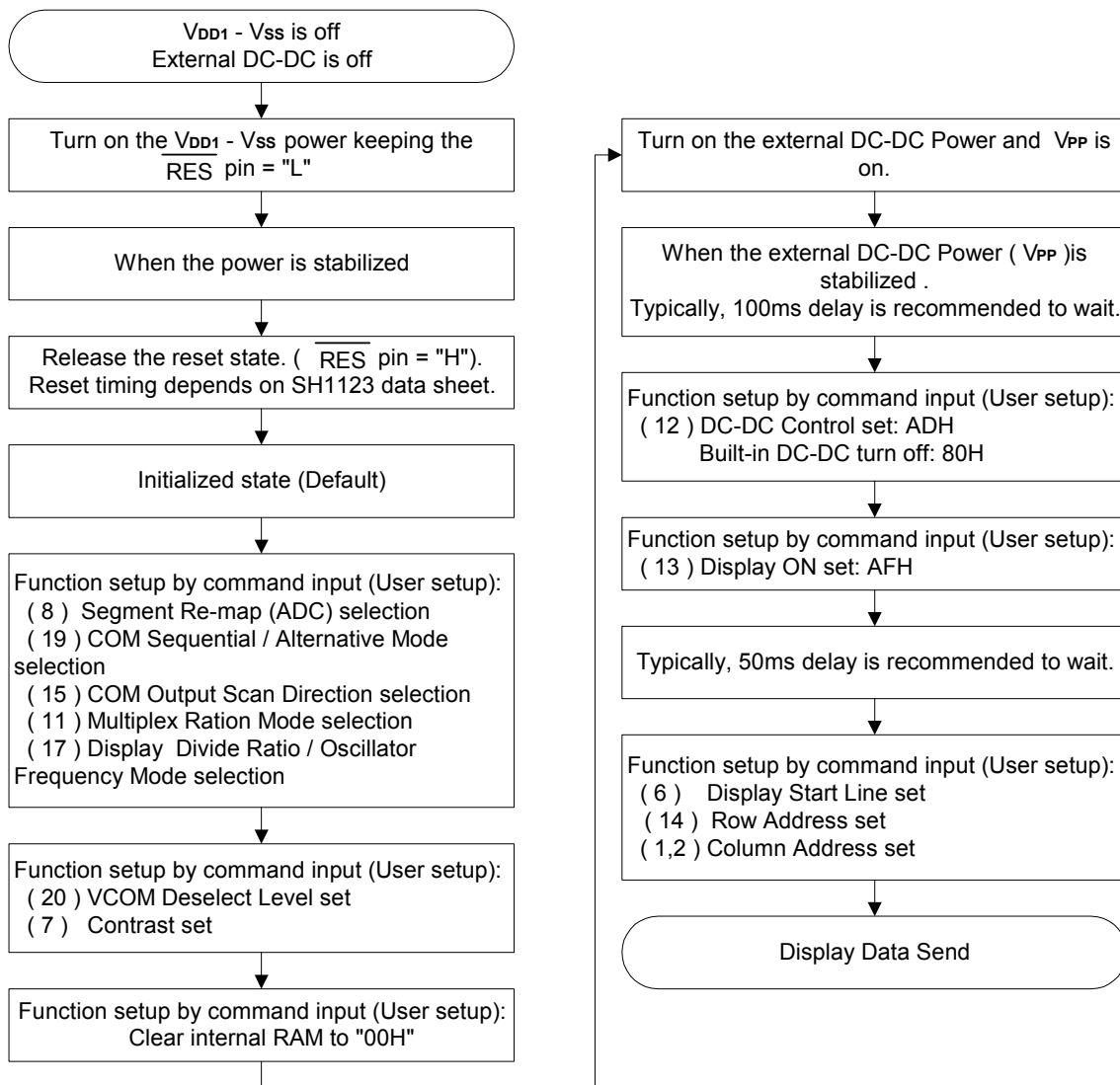
1. Power On and Initialization

1.1. When the built-in DC-DC pump power is being used immediately after turning on the power:



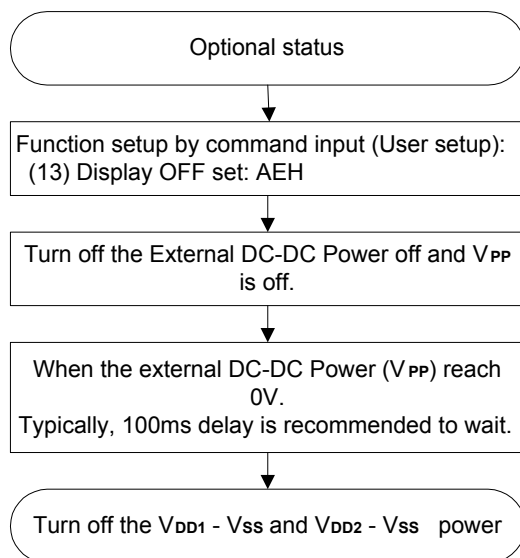


1.2. When the external DC-DC pump power is being used immediately after turning on the power:





2. Power Off





Absolute Maximum Rating*

DC Supply Voltage (VDD1, VDD2) -0.3V to +3.6V
 DC Supply Voltage (VPP) -0.3V to +18V
 Input Voltage -0.3V to VDD1 + 0.3V
 Operating Ambient Temperature -40°C to +85°C
 Storage Temperature -55°C to +125°C

***Comments**

Stresses above those listed under "Absolute Maximum Ratings" may cause permanent damage to this device. These are stress ratings only. Functional operation of this device under these or any other conditions above those indicated in the operational sections of this specification is not implied or intended. Exposure to the absolute maximum rating conditions for extended periods may affect device reliability.

Electrical Characteristics

DC Characteristics (VSS = 0V, VDD1 = 1.65 - 3.5V, VDD2 = 2.4 - 3.5V, TA = +25°C, unless otherwise specified)

Symbol	Parameter	Min.	Typ.	Max.	Unit	Condition
VDD1	Power supply of I/O	1.65	-	3.5	V	
VDD2	Power supply of logic device	2.4	-	3.5	V	
VPP	OLED Operating voltage	7.0	-	16.0	V	
VBREF	Internal voltage reference	1.20	1.26	1.32	V	With one 1μF capacitor
IDD1	Dynamic current Consumption 1	-	110	160	μA	VDD1 = 3V, VDD2 = 3V, IREF = 10μA, Contrast α = 256, Bulid-in DC-DC OFF, Display ON, display data = All ON, No panel attached.
IDD2	Dynamic current Consumption 2	-	190	285	μA	VDD1 = 3V, VDD2 = 3V, VPP = 12V, IREF = -10μA, Contrast α = 256, Bulid-in DC-DC ON, Display ON, Display data = All ON, No panel attached.
IPP	OLED dynamic current consumption	-	550	825	μA	VDD1 = 3V, VDD2 = 3V, VPP = 12V, IREF = -10μA, Contrast α = 256, Display ON, Display data = All ON, No panel attached.
ISP	Sleep mode current Consumption in VDD1 & VDD2	-	0.01	5	μA	During sleep, TA = +25°C, VDD1 = 3V, VDD2 = 3V.
	Sleep mode current Consumption in VPP	-	0.01	5	μA	During sleep, TA = +25°C, VPP = 12V.
ISEG	Segment output current	-388	-400	-412	μA	VDD1 = 3V, VDD2 = 3V, VPP = 12V, IREF = -12.5μA, RLOAD = 20kΩ, Display ON. Contrast α = 256.
		-	-275	-	μA	VDD1 = 3V, VDD2 = 3V, VPP = 12V, IREF = -12.5μA, RLOAD = 20kΩ, Display ON. Contrast α = 176.
		-	-150	-	μA	VDD1 = 3V, VDD2 = 3V, VPP = 12V, IREF = -12.5μA, RLOAD = 20kΩ, Display ON. Contrast α = 96.
		-	-25	-	μA	VDD1 = 3V, VDD2 = 3V, VPP = 12V, IREF = -12.5μA, RLOAD = 20kΩ, Display ON. Contrast α = 16.
ΔISEG1	Segment output current uniformity	-	-	±3	%	ΔISEG1 = (ISEG - IMID)/IMID X 100% IMID = (IMAX + IMIN)/2 ISEG [0:255] at contrast α = 256.
ΔISEG2	Adjacent segment output Current uniformity	-	-	±2	%	ΔISEG2 = (ISEG [N] - ISEG [N+1])/(ISEG [N] + ISEG [N+1]) X 100% ISEG [0:255] at contrast α = 256.



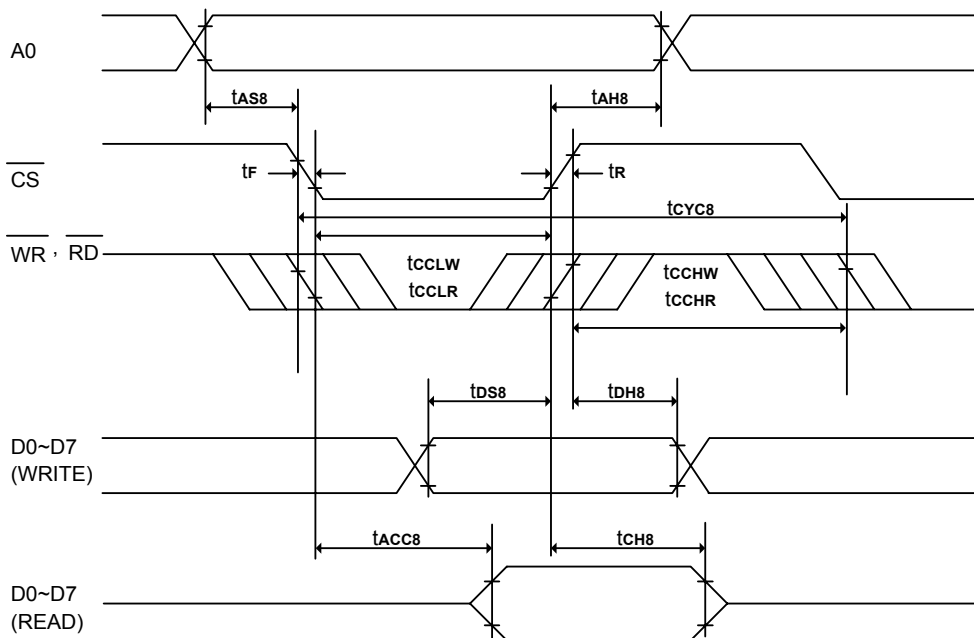
DC Characteristics (Continued)

Symbol	Parameter	Min.	Typ.	Max.	Unit	Condition
V _{IHC}	High-level input voltage	0.8 X V _{DD1}	-	V _{DD1}	V	A0, D0 - D7, \overline{RD} (E), \overline{WR} (R/ \overline{W}), \overline{CS} , CLS,
V _{ILC}	Low-level input voltage	V _{SS}	-	0.2 X V _{DD1}	V	CL, C86, P/S and \overline{RES} .
V _{OHC}	High-level output voltage	0.8 X V _{DD1}	-	V _{DD1}	V	I _{OH} = -0.5mA (D0 - D7, and CL).
V _{OLC}	Low-level output voltage	V _{SS}	-	0.2 X V _{DD1}	V	I _{OL} = 0.5mA (D0 - D7, and CL).
I _{LI}	Input leakage current	-1.0	-	1.0	μA	V _{IN} = V _{DD1} or V _{SS} (A0, \overline{RD} (E), \overline{WR} (R/ \overline{W}), \overline{CS} , CLS, C86, P/S and \overline{RES}).
I _{HZ}	HZ leakage current	-1.0	-	1.0	μA	When the D0 - D7, and CL are in high impedance.
f _{OSC}	Oscillation frequency	380	426	470	KHz	T _A = +25°C.
f _{FRM}	Frame frequency for 64 Commons	-	104	-	Hz	When f _{OSC} = 426kHz, Divide ratio = 1, common width = 64 DCLKs.
R _{pre}	Precharge switch resistance	-	300	450	Ω	V _{PP} =12V, V _{SEG} = 0.770 x V _{PP} - 0.4V
R _{dis}	Discharge switch resistance	-	8	10	Ω	V _{PP} =12V, V _{SL} = 0.4V
R _{ON1}	Common switch resistance	-	10	12	Ω	V _{PP} =12V, V _{COM} = V _{SS} +0.4V
R _{ON2}	Common switch resistance	-	350	-	Ω	V _{PP} =12V, V _{COM} = 0.770 x V _{PP} - 0.4V



AC Characteristics

(1) System buses Read/Write characteristics 1 (For the 8080 Series Interface MPU)

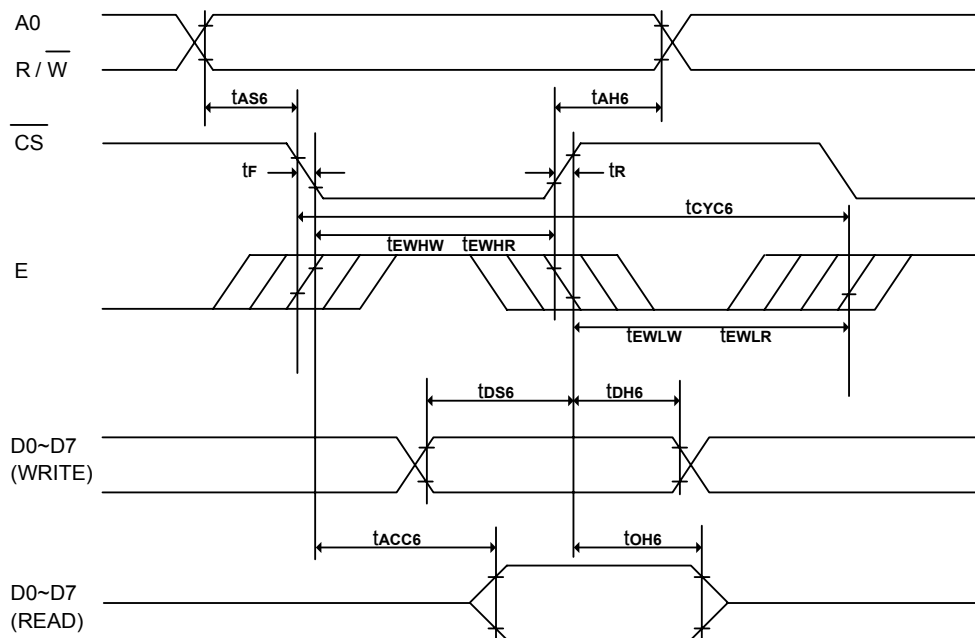


(VDD1 = 1.65 - 3.5V, VDD2 = 2.4 - 3.5V, TA = +25°C)

Symbol	Parameter	Min.	Typ.	Max.	Unit	Condition
tCYC8	System cycle time	300	-	-	ns	
tAS8	Address setup time	0	-	-	ns	
tAH8	Address hold time	0	-	-	ns	
tDS8	Data setup time	40	-	-	ns	
tDH8	Data hold time	15	-	-	ns	
tCH8	Output disable time	10	-	70	ns	CL=100pF
tACC8	\overline{RD} access time	-	-	140	ns	CL=100pF
tCCLW	Control L pulse width (WR)	100	-	-	ns	
tCCLR	Control L pulse width (RD)	120	-	-	ns	
tCCHW	Control H pulse width (WR)	100	-	-	ns	
tCCHR	Control H pulse width (RD)	100	-	-	ns	
tR	Rise time	-	-	15	ns	
tF	Fall time	-	-	15	ns	



(2) System buses Read/Write Characteristics 2 (For the 6800 Series Interface MPU)

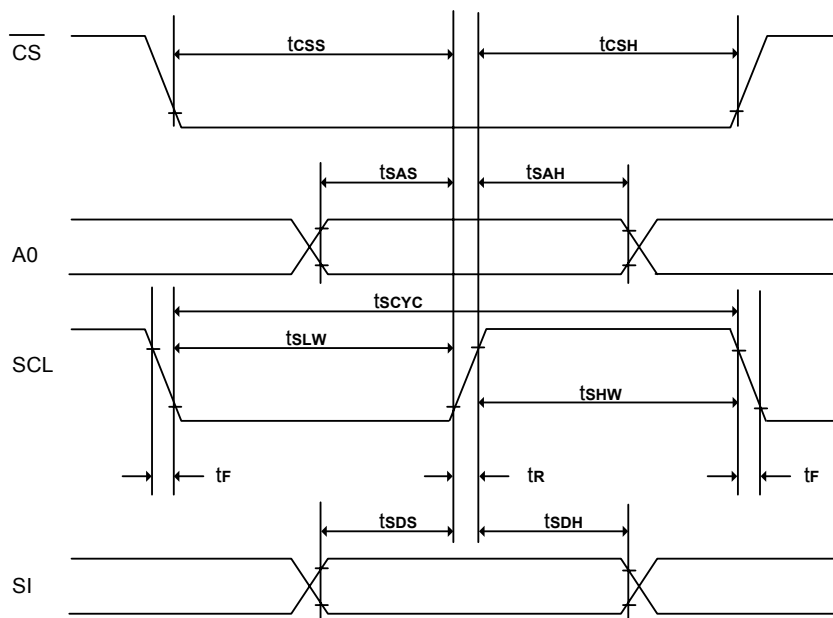


(VDD1 = 1.65 - 3.5V, VDD2 = 2.4 - 3.5V, TA = +25°C)

Symbol	Parameter	Min.	Typ.	Max.	Unit	Condition
tCYC6	System cycle time	300	-	-	ns	
tAS6	Address setup time	0	-	-	ns	
tAH6	Address hold time	0	-	-	ns	
tDS6	Data setup time	40	-	-	ns	
tDH6	Data hold time	15	-	-	ns	
tOH6	Output disable time	10	-	70	ns	CL=100pF
tACC6	Access time	-	-	140	ns	CL=100pF
tEWHW	Enable H pulse width (Write)	100	-	-	ns	
tEWHR	Enable H pulse width (Read)	120	-	-	ns	
tEWLW	Enable L pulse width (Write)	100	-	-	ns	
tEWLr	Enable L pulse width (Read)	100	-	-	ns	
tR	Rise time	-	-	15	ns	
tF	Fall time	-	-	15	ns	



(3) System buses Write characteristics 3(For the Serial Interface MPU)

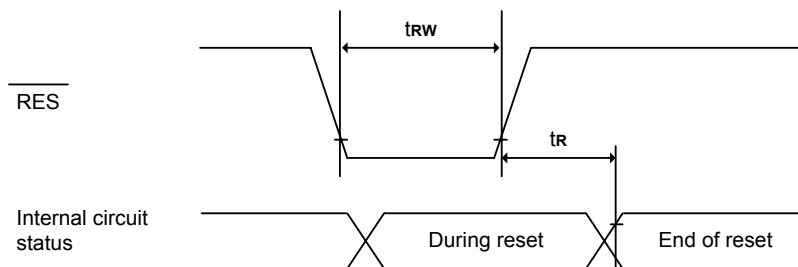


(VDD1 = 1.65 - 3.5V, VDD2 = 2.4 - 3.5V, TA = +25°C)

Symbol	Parameter	Min.	Typ.	Max.	Unit	Condition
Tscyc	Serial clock cycle	250	-	-	ns	
TsAS	Address setup time	150	-	-	ns	
TsAH	Address hold time	150	-	-	ns	
TsDS	Data setup time	100	-	-	ns	
TsDH	Data hold time	100	-	-	ns	
Tcss	\overline{CS} setup time	120	-	-	ns	
TcsH	\overline{CS} hold time time	60	-	-	ns	
TsHW	Serial clock H pulse width	100	-	-	ns	
TsLW	Serial clock L pulse width	100	-	-	ns	
tR	Rise time	-	-	15	ns	
tF	Fall time	-	-	15	ns	



(4) Reset Timing



(V_{DD1} = 1.65 - 3.5V, V_{DD2} = 2.4 - 3.5V, T_A = +25°C)

Symbol	Parameter	Min.	Typ.	Max.	Unit	Condition
t _R	Reset time	-	-	1.0	μs	
t _{RW}	Reset low pulse width	5.0	-	-	μs	



Application Circuit (for reference only)

Reference Connection to MPU:

1. 8080 series interface: (Internal oscillator, External VPP)

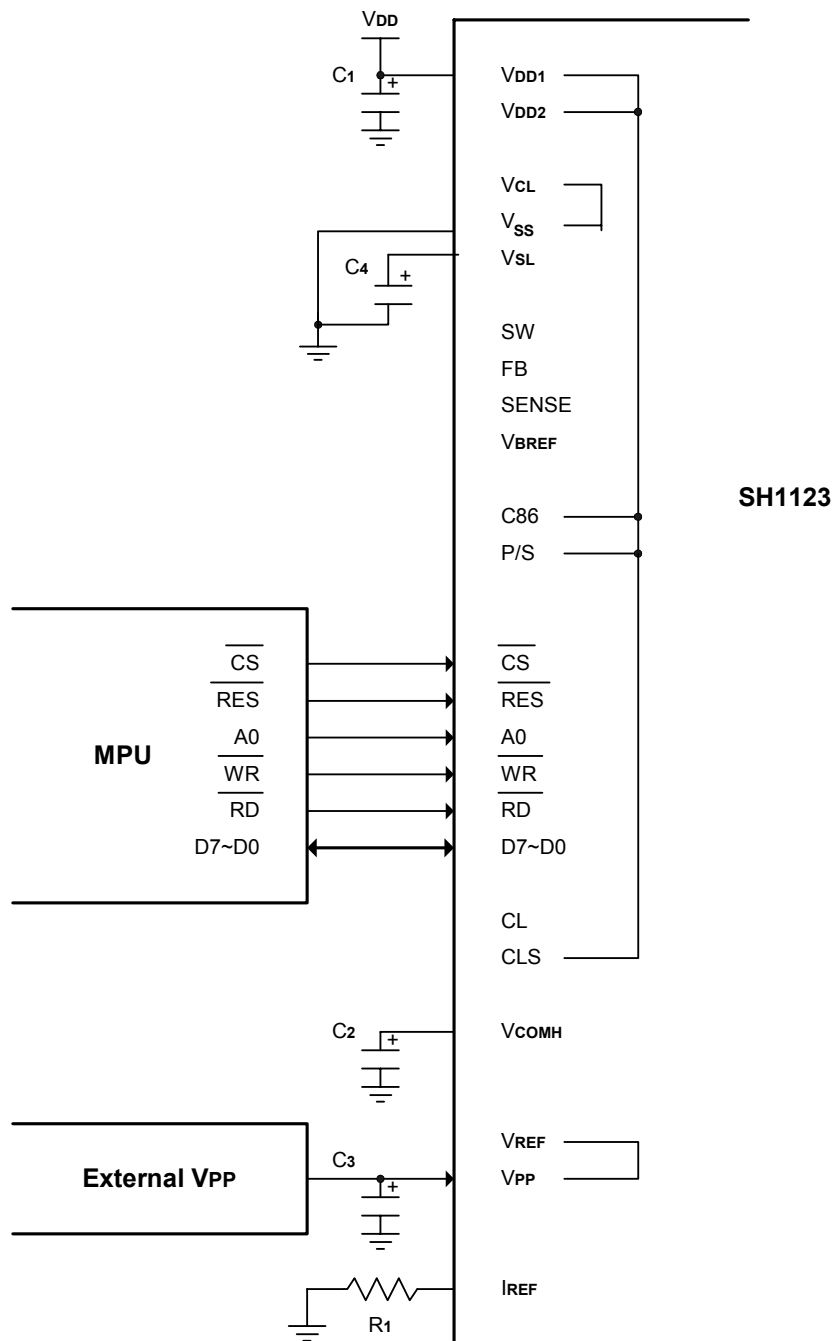


Figure. 11

Note:

C1 - C4: 4.7μF.

R1: about 910kΩ, $R1 = (\text{Voltage at IREF} - V_{SS})/I_{REF}$



2. 6800 Series Interface: (Internal oscillator, Built-in DC-DC)

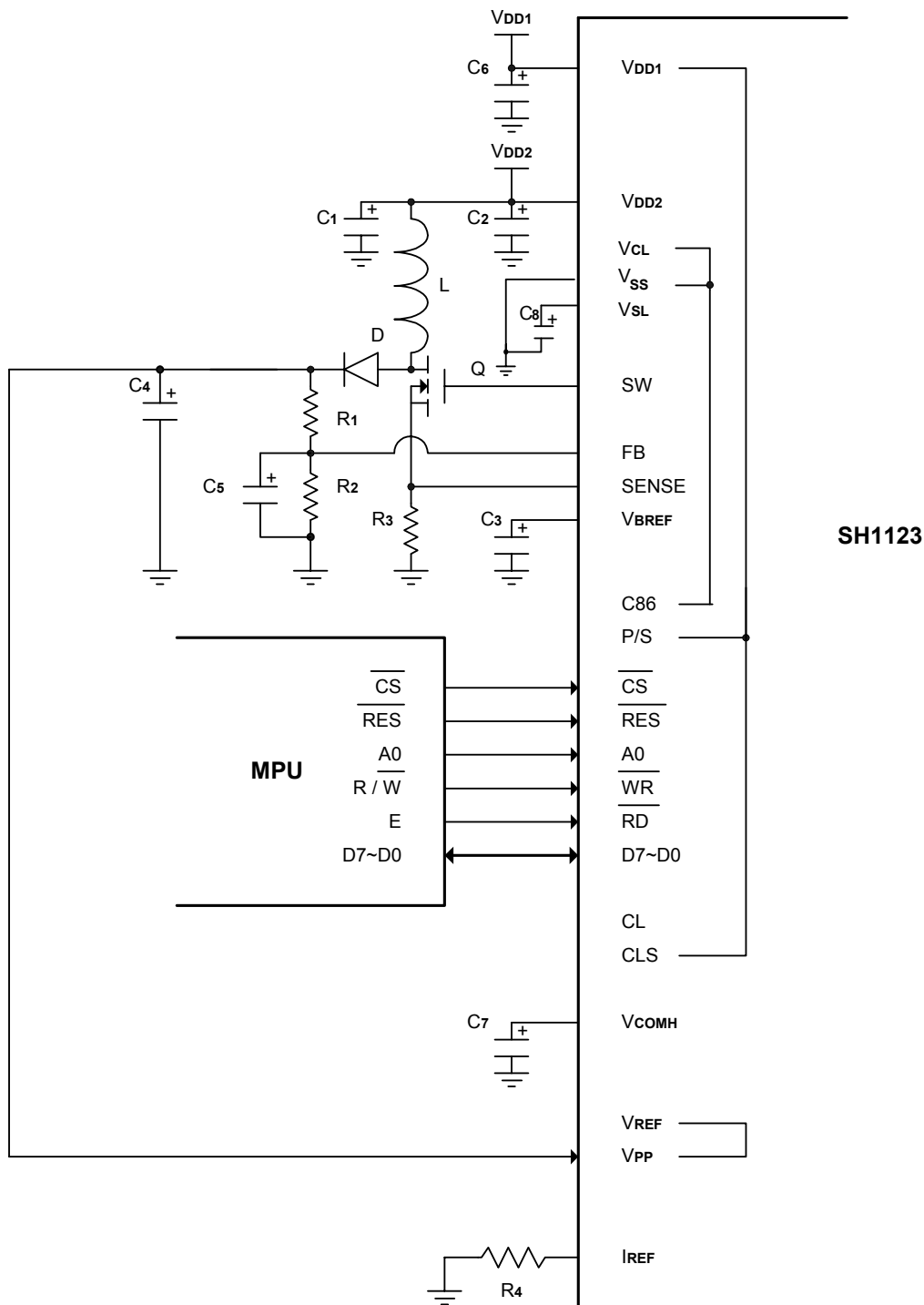


Figure. 12

Note:

L, D, Q, R1, R2, R3, C1 - C6: Please refer to following description of DC-DC module.

C6, C7, C8: 4.7μF

R3: about 910kΩ, R4 = (Voltage at IREF - Vss)/IREF



3. Serial Interface: (External oscillator, External VPP)

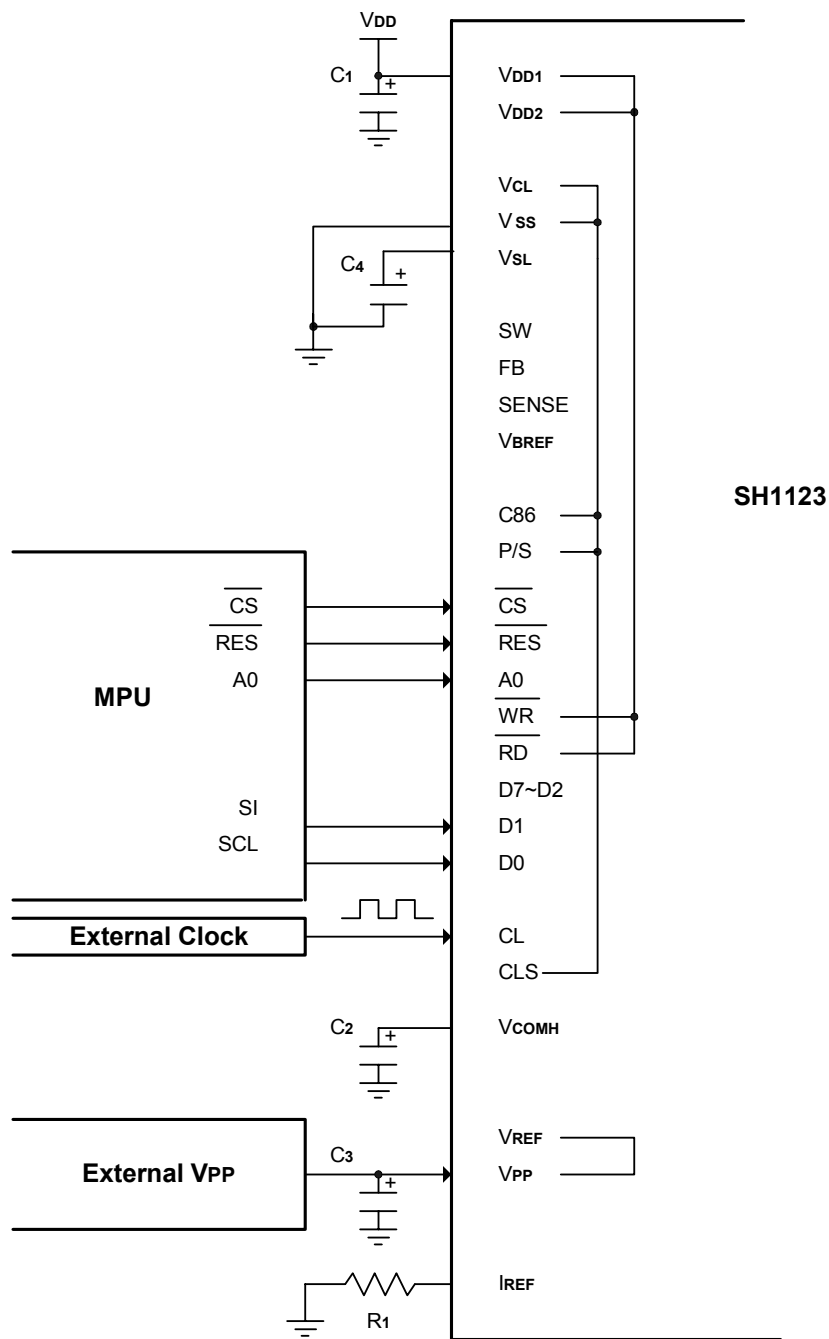


Figure. 13

Note:

C1 - C4: 4.7μF

R1: about 910kΩ, $R1 = (\text{Voltage at IREF} - V_{SS})/I_{REF}$



DC-DC:

Below application circuit is an example for the input voltage of 3V V_{DD} to generate V_{PP} of about 12V@10mA-25mA application.

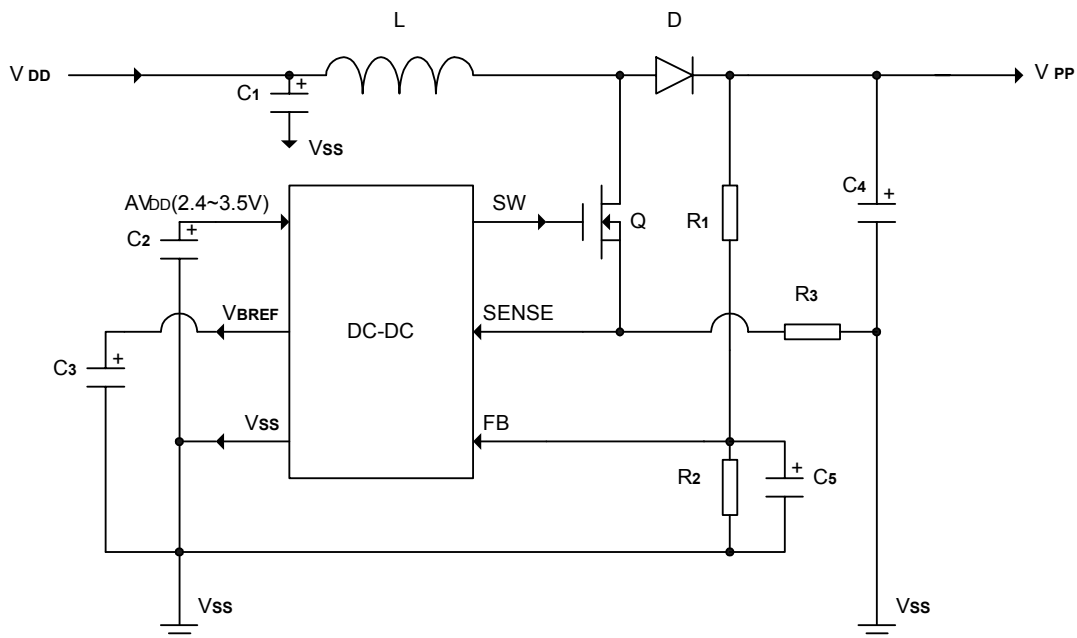
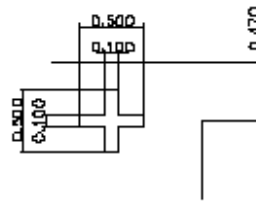


Figure. 14

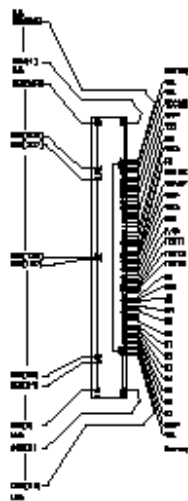
Symbol	Value	Recommendation
L	10 μ H	LQH3C100K24
D	SCHOTTKY DIODE	20V@0.5A, MBR0520
Q	MOSFET	N-FET with low $R_{DS(ON)}$ and low V_{TH} , MGSF1N02LT1
R1	930k Ω	1%, 1/8W
R2	110k Ω	1%, 1/8W
R3	0.12 Ω	1%, 1/2W
C1	1 - 10 μ F	Low ESR/6.3V
C2	0.1 - 1 μ F	Ceramic/16V
C3	1 μ F	Ceramic/16V
C4	6.8 μ F	Low ESR/16V
C5	1000pF	Ceramic/16V



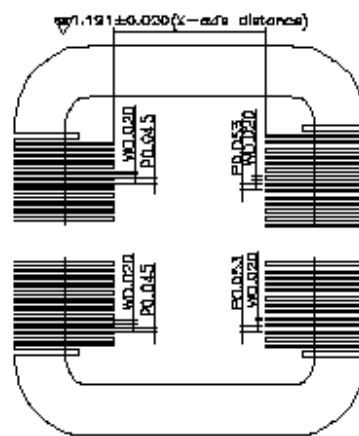
Detail A
Scale 5:1



Detail B
Scale 10:1



Pin Assignment ▼▼



Detail IL
Scale 10:1

NOTES:

1. All SR Dimension Tolerance $\pm 0.200\text{mm}$ if not specified
2. All SL Dimension Tolerance $\pm 0.05\text{mm}$ if not specified
3. NG Punch Dimension Tolerance $\pm 1\text{mm}$ if not specified
4. Corner radiuses unless otherwise specified is $0.2D\text{mm}$
5. PKG Reel Size : $\phi 405\text{mm}$
6. Input IL total pitch from top 2nd to bottom 2nd
7. Output IL total pitch from top 2nd to bottom 2nd
8. Min Pitch= $45\mu\text{m}$ =IL Pitch

Cautions Concerning Storage:

1. When storing the product, it is recommended that it be left in its shipping package.
After the seal of the packing bag has been broken, store the products in a nitrogen atmosphere.
2. Storage conditions:

Storage State	Storage Conditions
unopened (less than 90 days)	Temperature: 5 to 30°C; humidity: 80%RH or less.
After seal of broken (less than 30 days)	Room temperature, dry nitrogen atmosphere

3. Don't store in a location exposed to corrosive gas or excessive dust.
4. Don't store in a location exposed to direct sunlight or subject to sharp changes in temperature.
5. Don't store the product such that it is subjected to an excessive load weight, such as by stacking.
6. Deterioration of the plating may occur after long-term storage, so special care is required.
It is recommended that the products be inspected before use.



SH1123

Ordering Information

Part No.	Package
SH1123-COF01	COF Form

**Data Sheet Revision History**

Version	Content	Date
0.0	Original	Dec. 2005
0.1	<ol style="list-style-type: none">1. VDC=2.4~3.5V (Page 1,5,33);2. RON1=10Ω(Typ), RON1=12Ω(Max) (Page 34);3. Add pad Configuration (Page 3)4. Add a capacitor between VSL and VSS (Page 5,39,40,41)	Jan.2006
0.2	<ol style="list-style-type: none">1. A V_{DD}: 2.4 - 3.5V power supply pad for the internal buffer of the DC-DC voltage converter. (Page 1,4,5,14,33)2. Add the note for Set Segment Re-map command: The Set Segment Re-map command would change the address counter value, so it is recommended to set segment re-map in the initial program. (Page 18)3. Change the description of DC-DC switch frequency control setting by the DC-DC setting command. (Page 20)	Jun.2006
0.3	<ol style="list-style-type: none">1. Add Pin Configuration (Page 2)2. Change the Power On and Initialization flowchart. (Page 30-31)3. Add Package Information. (Page 45-46)4. Add Order Information. (Page 47)	Nov. 2007
	<ol style="list-style-type: none">1. Change "set higher column address of display RAM(10H-1FH)" to(10H-17H). (Page 16)2. Change Command table set column address 4 higher bits to 3 higher bits.(Page 28)3. Change Figure 13 (Page 41)4. Change Precharge switch resistance DC Characteristics test condition.(Page 34)	Dec. 2007