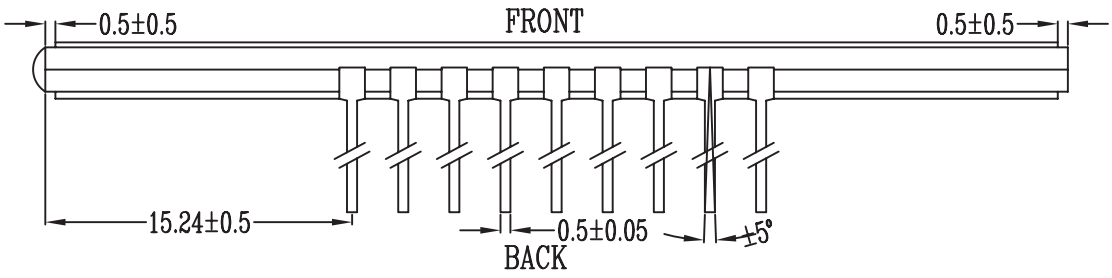
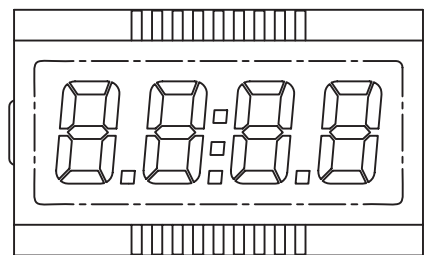


↑ 6 O'CLOCK VIEWING DIRECTION



SCALE 1:1



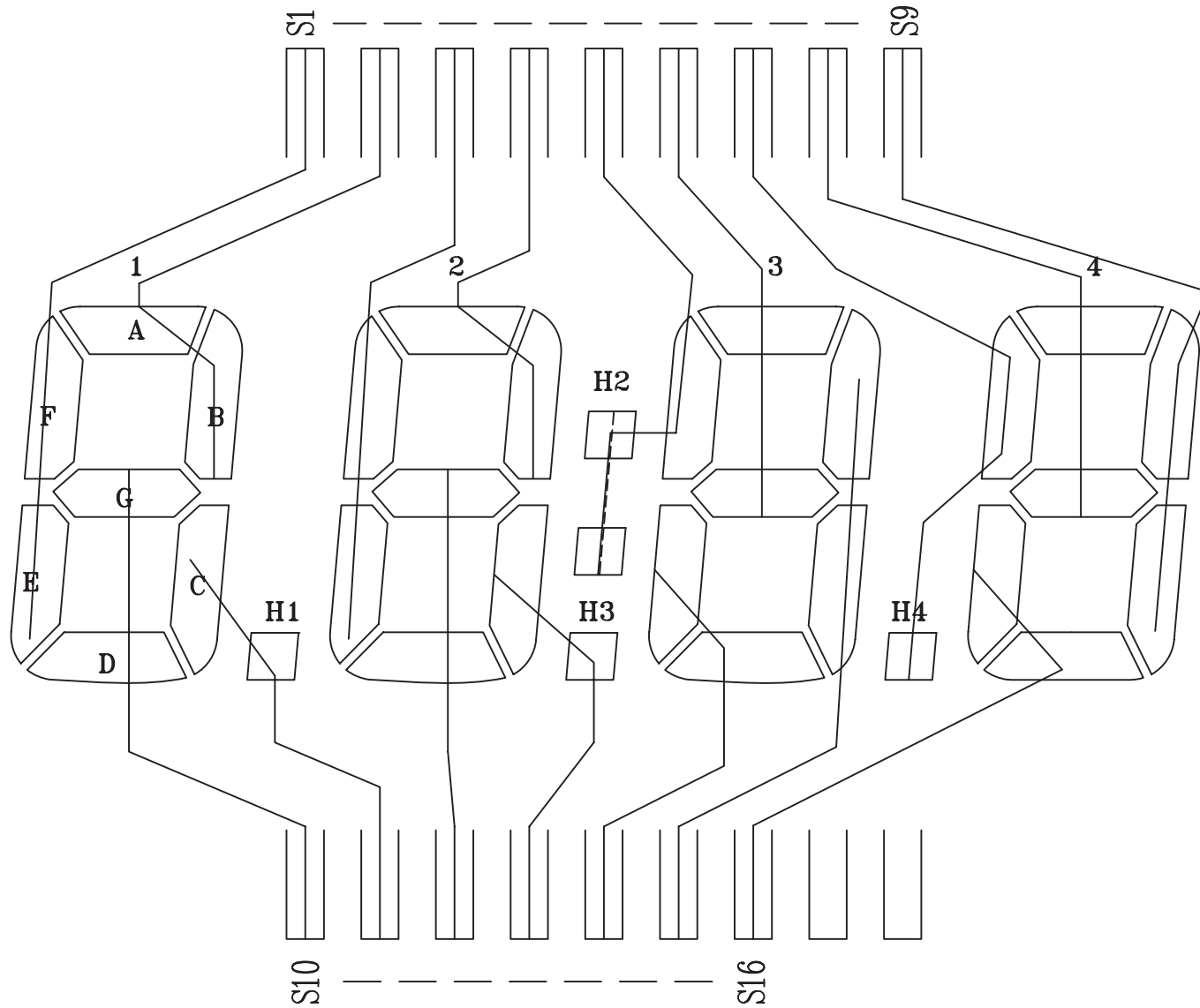
NOTE:

- 1 DISPLAY TYPE : TN
- 2 VIEWING DIRECTION : 6 O'CLOCK
- 3 POLARIZER MODE : TRANSFLECTIVE/POSITIVE
- 4 DRIVE METHOD : 1/2 DUTY 1/2 BIAS
- 5 OPERATING VOLTAGE : 3.3V(FOR REFERENCE VOLTAGE)
- 6 OPERATING TEMP : -20°C---+85°C
- 7 STORAGE TEMP : -20°C---+85°C
- 8 CONNECTION : PIN
- 9 FRAME FREQUENCY : 64HZ

REVISION RECORD		NAME	DATE
1			
2			
3			
4			

						VERSION	A	UNIT	MM	NO. 1/5	TLDP-4003-01
						APPROVED		CHECKED		DRAWN	

SEGMENT



Intelligent Display Solutions

www.i-lcd.com

info@i-lcd.com

VERSION

A

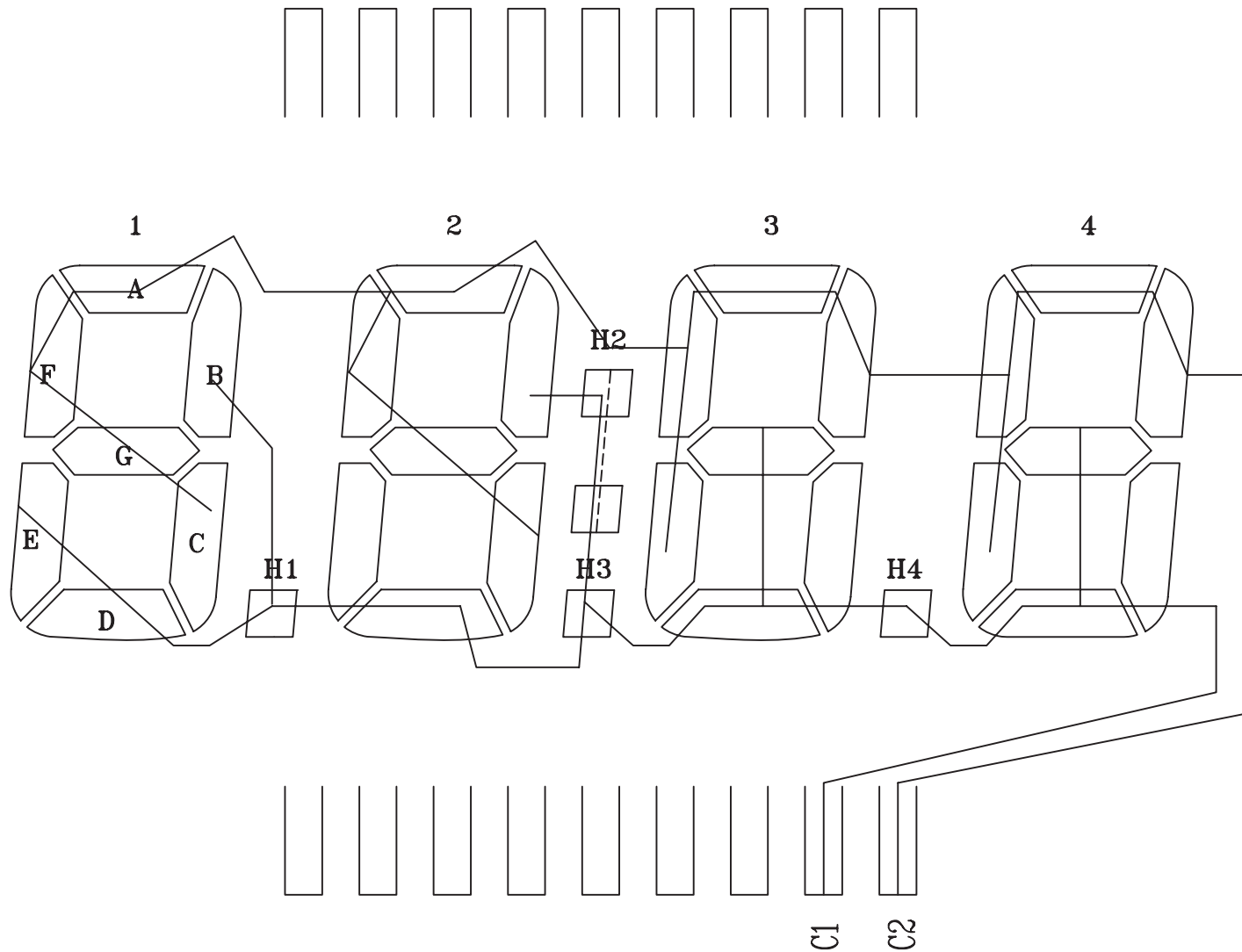
UNIT

MM

NO. 2/5

TLDP-4003-01

COMMON



Intelligent Display Solutions
www.i-lcd.com info@i-lcd.com

VERSION

A

UNIT

MM

NO. 3/5

TLDP-4003-01

PIN	1	2	3	4	5	6	7	8	9	10	11	12	13	14	15	16	17	18
COM1	E1	B1	E2	B2	H2	G3	H4	G4	C4	D1	H1	D2	H3	D3	C3	D4	COM1	
COM2	F1	A1	F2	A2	F3	A3	F4	A4	B4	G1	C1	G2	C2	E3	B3	E4		COM2



Intelligent Display Solutions
www.i-lcd.com info@i-lcd.com

VERSION

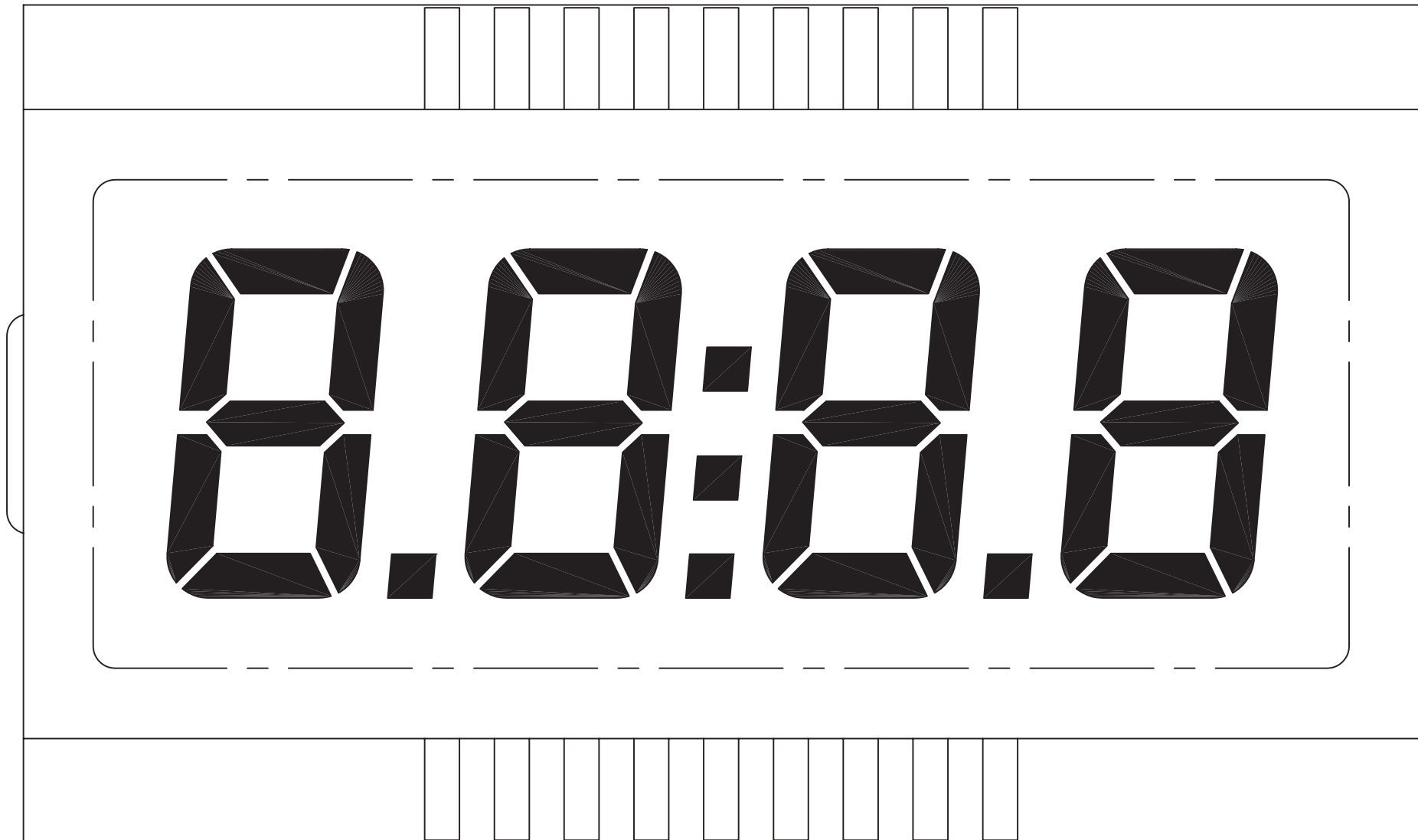
A

UNIT

MM

NO. 4/5

TLDP-4003-01



Display Effect



Intelligent Display Solutions
www.i-lcd.com info@i-lcd.com

VERSION

A

UNIT

MM

NO. 5/5

TLDP-4003-01