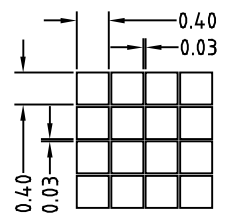
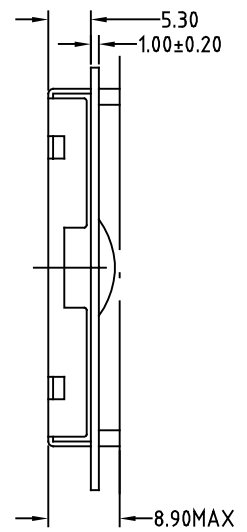
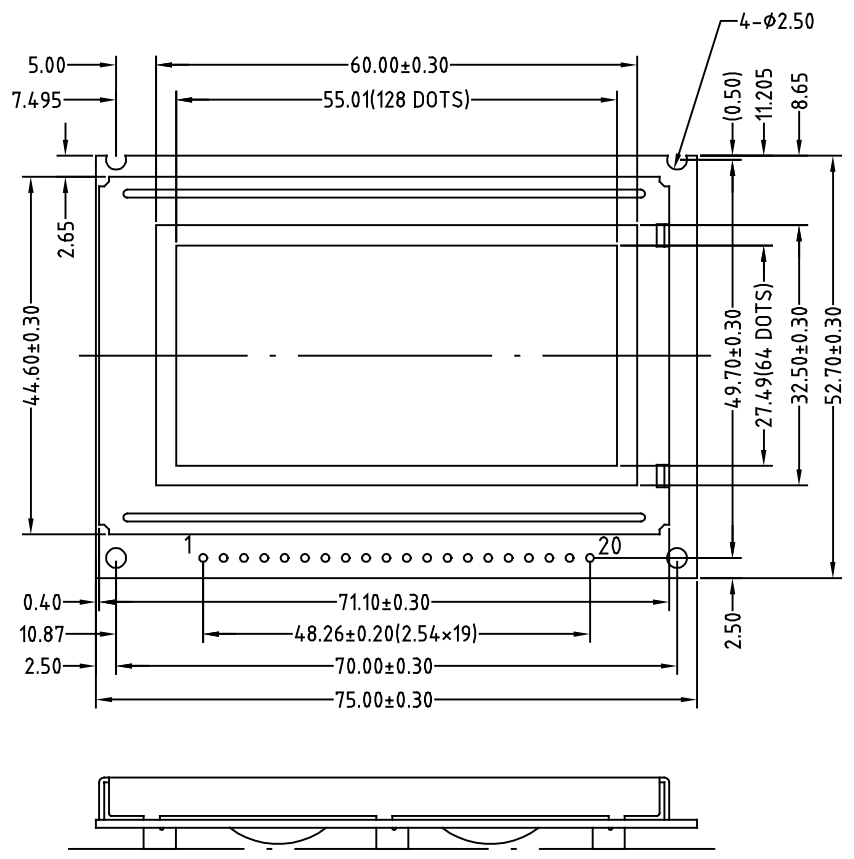



REV	Description	Date
A00	First Issue	2003-OCT-08



DISPLAY PATTERN

PIN CONNECTION

1	V _{DD}
2	V _{SS}
3	V ₀
4	DB ₀
5	DB ₁
6	DB ₂
7	DB ₃
8	DB ₄
9	DB ₅
10	DB ₆
11	DB ₇
12	CS ₁
13	CS ₂
14	RESET
15	R/W
16	DI
17	E
18	FGND
19	ANODE
20	CATHODE

Description:		MECHANICAL SPECIFICATIONS	
Scale:		 Intelligent Display Solutions www.i-lcd.com info@i-lcd.com	
Sheet : 1 of 1			
Unspecified Tol. \pm 0.3	Unit mm	Project Number TMBG12864E-XX	Item Number
Approvals	Date		
Draw:		Do Not Scale This Drawing	Projection
Check:			
Approve:			